



# MH3024

## Material Handler

# Technical Specifications

Configurations and features may vary by region. Please consult your Cat® dealer for availability in your area.

## Table of Contents

|   |           |
|---|-----------|
| <b>Specifications</b> .....                       | <b>2</b>  |
| Engine .....                                      | 2         |
| Transmission .....                                | 2         |
| Service Refill Capacities .....                   | 2         |
| Swing Mechanism .....                             | 2         |
| Undercarriage .....                               | 2         |
| Operating Weights .....                           | 2         |
| Hydraulic System .....                            | 3         |
| Tires .....                                       | 3         |
| Emissions and Safety .....                        | 3         |
| Standards .....                                   | 3         |
| Sound Performance .....                           | 3         |
| Air Conditioning System .....                     | 3         |
| Weights .....                                     | 4         |
| Dimensions:                                       |           |
| MH Boom 6.4 m (21'0") .....                       | 5         |
| MH Boom 7.45 m (24'5") .....                      | 5         |
| Undercarriage Dimensions:                         |           |
| 2.75 m (9'0") .....                               | 6         |
| 2.99 m (9'10") .....                              | 6         |
| Dimensions:                                       |           |
| VA Boom 5.26 m (17'3") .....                      | 7         |
| One-Piece Boom 5.65 m (18'6") .....               | 7         |
| Undercarriage Dimensions:                         |           |
| Front Outrigger/Rear Blade .....                  | 8         |
| Front Blade/Rear Outrigger .....                  | 8         |
| Working Ranges:                                   |           |
| MH Boom 6.4 m (21'0") .....                       | 9         |
| MH Boom 7.45 m (24'5") .....                      | 9         |
| VA Boom 5.26 m (17'3") .....                      | 10        |
| One-Piece Boom 5.65 m (18'6") .....               | 10        |
| Lift Capacities .....                             | 11        |
| Attachments Offering Guide:                       |           |
| Europe .....                                      | 29        |
| North America .....                               | 36        |
| Australia/New Zealand .....                       | 41        |
| <b>Standard and Optional Equipment</b> .....      | <b>42</b> |
| <b>Dealer Installed Kit and Attachments</b> ..... | <b>44</b> |
| <b>Cab Options</b> .....                          | <b>45</b> |
| <b>MH3024 Environmental Declaration</b> .....     | <b>46</b> |

# MH3024 Material Handler Specifications

## Engine

|                                   |                          |                       |
|-----------------------------------|--------------------------|-----------------------|
| Engine Model                      | Cat® C4.4                |                       |
| Net Power – ISO 9249              | 128 kW                   | 171 hp                |
| Net Power – ISO 9249 (metric)     | 174 hp (PS)              |                       |
| Engine Power – ISO 14396          | 129 kW                   | 174 hp                |
| Engine Power – ISO 14396 (metric) | 176 hp (PS)              |                       |
| Bore                              | 105 mm                   | 4.1 in                |
| Stroke                            | 135 mm                   | 5.3 in                |
| Displacement                      | 4.4 L                    | 268.5 in <sup>3</sup> |
| Number of Cylinders               | 4                        |                       |
| Biodiesel capability              | Up to B20 <sup>(1)</sup> |                       |

- Meets U.S. EPA Tier 4 Final and EU Stage V emission standards.
- Recommended for use up to 3000 m (9,843 ft) altitude with engine power derate above 3000 m (9,843 ft).
- Advertised power is tested per the specified standard in effect at the time of manufacture.
- Net power advertised is the power available at the flywheel when engine is equipped with fan, air cleaner, CEM exhaust gas aftertreatment, alternator, and cooling fan running at intermediate speed.
- Engine speed at 2,200 rpm.

<sup>(1)</sup>Cat diesel engines are required to use ULSD (ultra-low sulfur diesel fuel with 15 ppm of sulfur or less) or ULSD blended with the following lower-carbon intensity fuels up to:

- ✓ 20% biodiesel FAME (fatty acid methyl ester)\*
- ✓ 100% renewable diesel, HVO (hydrotreated vegetable oil) and GTL (gas-to-liquid) fuels

Refer to guidelines for successful application. Please consult your Cat dealer or “Caterpillar Machine Fluids Recommendations” (SEBU6250) for details.

*\*Engines with no aftertreatment devices can use higher blends, up to 100% biodiesel (for use of blends higher than 20% biodiesel, consult your Cat dealer).*

## Transmission

|   |         |          |
|---|---------|----------|
| Forward/Reverse                               |         |          |
| 1st Gear                                      | 8 km/h  | 5.0 mph  |
| 2nd Gear with Joystick Steering               | 15 km/h | 9.3 mph  |
| 2nd Gear with Steering Wheel                  | 20 km/h | 12.4 mph |
| Creeper Speed                                 |         |          |
| 1st Gear                                      | 6 km/h  | 3.4 mph  |
| 2nd Gear                                      | 15 km/h | 9.3 mph  |
| Drawbar Pull                                  |         |          |
| Maximum Gradeability<br>(23 500 kg/51,800 lb) | 65%     |          |

## Service Refill Capacities

|                                   |        |          |
|-----------------------------------|--------|----------|
| Fuel Tank Capacity                | 350 L  | 92.5 gal |
| Cooling System                    | 36 L   | 9.5 gal  |
| Engine Oil                        | 13 L   | 3.4 gal  |
| Final Drive (each)                | 2.5 L  | 0.7 gal  |
| Hydraulic System (including tank) | 345 L  | 91.1 gal |
| Hydraulic Tank                    | 155 L  | 40.9 gal |
| Diesel Exhaust Fluid (DEF) Tank   | 30 L   | 7.9 gal  |
| Rear Axle Differential            | 14 L   | 3.7 gal  |
| Steering Axle Differential        | 10.5 L | 2.8 gal  |
| Powershift Transmission           | 2.5 L  | 0.7 gal  |

## Swing Mechanism

|                      |         |               |
|----------------------|---------|---------------|
| Swing Speed          | 8.2 rpm |               |
| Maximum Swing Torque | 58 kN·m | 42,631 lbf-ft |

## Undercarriage

|                        |         |         |
|------------------------|---------|---------|
| Ground Clearance       | 320 mm  | 12.6 in |
| Maximum Steering Angle | 35°     |         |
| Oscillation Axle Angle | 5°      |         |
| Minimum Turning Radius |         |         |
| Outside of Tires       | 6900 mm | 22.6 ft |

## Operating Weights<sup>1</sup>

|                             |           |           |
|-----------------------------|-----------|-----------|
| Minimum                     | 22 700 kg | 50,050 lb |
| Maximum                     | 26 800 kg | 59,100 lb |
| Typical Configurations:     |           |           |
| VA Boom <sup>2</sup>        | 23 400 kg | 51,600 lb |
| Waste Handling <sup>3</sup> | 25 100 kg | 55,350 lb |
| Scrap Handling <sup>4</sup> | 25 200 kg | 55,550 lb |

<sup>1</sup> Operating weight includes full fuel tank, operator, 1400 kg (3,086 lb) work tool. Weight varies depending on configuration.

<sup>2</sup> VA Boom configuration includes 5.26 m (17'3") VA boom, 2.9 m (9'6") stick, 1400 kg (3,100 lb) work tool, 4200 kg (9,260 lb) counterweight, 2.75 m (9'0") wide undercarriage, blade and outriggers, and air tires.

<sup>3</sup> Waste Handling configuration includes 7.45 m (24'5") MH boom, 4.3 m (14'1") MH straight stick, 1400 kg (3,100 lb) work tool, 4700 kg (10,350 lb) counterweight, 2.75 m (9'0") wide MH Undercarriage, and solid tires.

<sup>4</sup> Scrap Handling configuration includes 6.4 m (21'0") MH boom, 5.0 m (16'5") MH drop nose stick, 1400 kg (3,100 lb) work tool, 4200 kg (9,260 lb) counterweight, FOGS, 15 kW (20 hp) Generator, 2.99 mm (9'10") wide MH Undercarriage, and solid tires.

# MH3024 Material Handler Specifications

## Hydraulic System

|                                      |            |              |
|--------------------------------------|------------|--------------|
| Maximum Pressure – Implement Circuit |            |              |
| Normal                               | 35 000 kPa | 5,076 psi    |
| Heavy Lift                           | 37 000 kPa | 5,366 psi    |
| Travel Circuit                       | 35 000 kPa | 5,076 psi    |
| Maximum Pressure – Auxiliary Circuit |            |              |
| High Pressure                        | 35 000 kPa | 5,076 psi    |
| Medium Pressure                      | 19 500 kPa | 2,466 psi    |
| Maximum Pressure – Swing Mechanism   | 39 000 kPa | 5,656 psi    |
| Maximum Flow – Implements            | 306 L/min  | 81 gal/min   |
| Maximum Flow – Travel Circuit        | 220 L/min  | 58 gal/min   |
| Maximum Flow – Auxiliary Circuit     |            |              |
| High Pressure                        | 250 L/min  | 66 gal/min   |
| Medium Pressure                      | 55 L/min   | 14.5 gal/min |
| Maximum Flow – Swing Mechanism       | 95 L/min   | 25.1 gal/min |
| Boom Cylinder (MH) – Bore            | 130 mm     | 5 in         |
| Boom Cylinder (MH) – Stroke          | 983 mm     | 39 in        |
| Stick Cylinder (MH) – Bore           | 110 mm     | 4 in         |
| Stick Cylinder (MH) – Stroke         | 1226 mm    | 48 in        |
| Boom Cylinder (VA) – Bore            | 130 mm     | 5 in         |
| Boom Cylinder (VA) – Stroke          | 906 mm     | 36 in        |
| VAB Cylinder – Bore                  | 160 mm     | 6 in         |
| VAB Cylinder – Stroke                | 731 mm     | 29 in        |
| Boom Cylinder (one-piece) – Bore     | 130 mm     | 5 in         |
| Boom Cylinder (one-piece) – Stroke   | 906 mm     | 36 in        |
| Stick Cylinder – Bore                | 130 mm     | 5 in         |
| Stick Cylinder – Stroke              | 1205 mm    | 47 in        |
| Bucket Cylinder – Bore               | 110 mm     | 4 in         |
| Bucket Cylinder – Stroke             | 1077 mm    | 42 in        |

## Tires

|          |                              |
|----------|------------------------------|
| Standard | 10.00-20 (dual solid rubber) |
| Optional | 11.00-20 (dual pneumatic)    |

## Emissions and Safety

|                                  |  |                        |
|----------------------------------|--|------------------------|
| Engine Emissions                 | U.S. EPA Tier 4 Final and EU Stage V   |                        |
| Diesel Exhaust Fluid             | Must meet ISO 22241  |                        |
| Fluids (optional)                |  |                        |
| Cat Bio HYDO™ Advanced           | Readily biodegradable; EU Flower eco-label certified                               |                        |
| Biodiesel up to B20              | Meets EN 14214 or ASTM D6751 with EN590 or ASTM D975 Standard Mineral diesel fuels |                        |
| Vibration Levels                 |  |                        |
| Maximum Hand/Arm                 |  |                        |
| ISO 5349-2001                    | <2.5 m/s <sup>2</sup>  | <8.2 ft/s <sup>2</sup> |
| Maximum Whole Body               |  |                        |
| ISO/TR 25398:2006                | <0.5 m/s <sup>2</sup>  | <1.6 ft/s <sup>2</sup> |
| Seat Transmissibility Factor     |  |                        |
| ISO 7096:2000-spectral class EM5 | <0.7   |                        |

## Standards

|   |   |
|---|---|
| Brakes  | ISO 3450:2011                               |
| Cab/TOPS (Tip Over Protective Structure)          | EN474-5:2006 + A3:2013                      |
| FOGS (Falling Objects Guarding System) (optional) | ISO 10262:1998                              |
| Cab/Sound Levels                                  | Meets appropriate standards as listed below |

## Sound Performance

|                                |          |
|--------------------------------|----------|
| Exterior sound (ISO 6395:2008) | 99 dB(A) |
| Operator Sound (ISO 6396:2008) | 70 dB(A) |

- Exterior Sound – The labeled exterior sound power level is measured according to the test procedures specified in ISO 6395:2008. The machine sound power level meets the criteria that are specified in the applicable regional regulations, e.g. 2000/14/EC as amended by 2005/88/EC.
- Internal Sound – The inside cab sound level is measured according to the procedures specified in ISO 6396:2008, for a cab offered by Caterpillar, when properly installed and maintained and tested with the door and windows closed.
- Hearing protection may be needed when operating with an open operator station and cab (when not properly maintained for doors/windows open) for extended periods or in noisy environment(s).
- Blue Angel certified

## Air Conditioning System

The air conditioning system on this machine contains the fluorinated greenhouse gas refrigerant R134a (Global Warming Potential = 1430). The system contains 1.05 kg of refrigerant, which has a CO<sub>2</sub> equivalent of 1.502 metric tonnes.

# MH3024 Material Handler Specifications

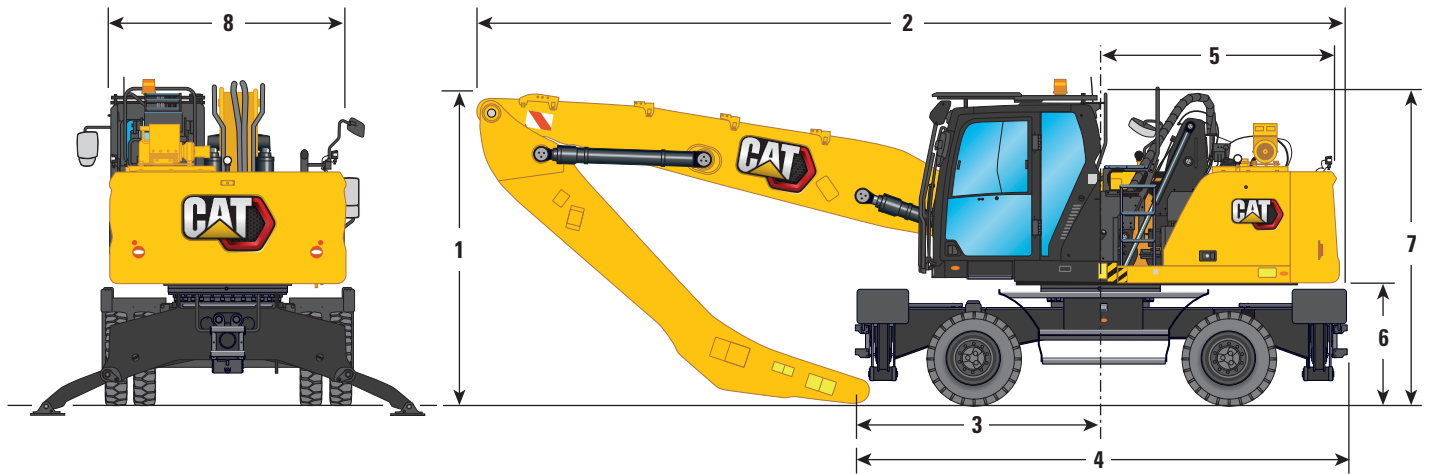
## Weights

|  | kg   | lb     |
|--|------|--------|
| Booms (including boom and stick cylinders, pins and standard hydraulic lines):                   |      |        |
| 6.4 m (21'0") MH Boom  | 2550 | 5,600  |
| 7.45 m (24'5") MH Boom   | 2800 | 6,150  |
| 5.65 m (18'6") One-Piece Boom  | 2300 | 5,050  |
| 5.26 m (17'3") VA Boom   | 2750 | 6,050  |
| Sticks (including bucket cylinder and linkage [if equipped], pins and standard hydraulic lines): |      |        |
| 5.0 m (16'5") MH Drop Nose Stick   | 1150 | 2,550  |
| 4.3 m (14'1") MH Straight Stick  | 1400 | 3,100  |
| 2.5 m (8'2") Straight Stick  | 1000 | 2,200  |
| 2.9 m (9'6") Straight Stick  | 1050 | 2,300  |
| Counterweights:  |      |        |
| Standard   | 4200 | 9,260  |
| Optional   | 4700 | 10,350 |
| Undercarriage (including axles and steps):   |      |        |
| 2.75 m (9'0") MH Undercarriage   | 5950 | 13,100 |
| 2.75 m (9'0") MH Undercarriage with Push Blade   | 6450 | 14,200 |
| 2.75 m (9'0") Undercarriage Blade and Outriggers   | 6100 | 13,450 |
| 2.99 m (9'10") MH Undercarriage  | 6000 | 13,250 |
| 2.99 m (9'10") MH Undercarriage with Push Blade  | 6550 | 14,450 |
| Tires:   |      |        |
| Air Tires (11.00-20 dual)  | 1000 | 2,200  |
| Solid Tires (10.00-20 dual)  | 1800 | 3,950  |
| Work Tools (including mounting bracket):   |      |        |
| Waste Handling Grapple G318 (0.8 m <sup>3</sup> , 1.00 yd <sup>3</sup> )                         | 1650 | 3,650  |
| Orange Peel Grapple GSH420S (0.6 m <sup>3</sup> , 0.75 yd <sup>3</sup> )                         | 1250 | 2,750  |
| Orange Peel Grapple GSH520S (0.6 m <sup>3</sup> , 0.75 yd <sup>3</sup> )                         | 1500 | 3,300  |
| Orange Peel Grapple GSV520S (0.6 m <sup>3</sup> , 0.75 yd <sup>3</sup> )                         | 1350 | 3,000  |
| Transfer Clamshell Grapple CTV15 (1 m <sup>3</sup> , 1.25 yd <sup>3</sup> )                      | 1400 | 3,100  |
| Pin-On Bucket  | 700  | 1,550  |
| CW Bucket  | 700  | 1,550  |
| Quick Couplers:  |      |        |
| CW Dedicated QC  | 250  | 550    |
| Pin Grabber QC   | 400  | 900    |
| Other:   |      |        |
| 15 kW (20 hp) Generator  | 400  | 900    |
| Cab Front and Top Guard (FOGS)   | 150  | 350    |

# MH3024 Material Handler Specifications

## Dimensions

All dimensions are approximate and may vary depending on bucket selection. Values are with 10.00-20 solid tires.

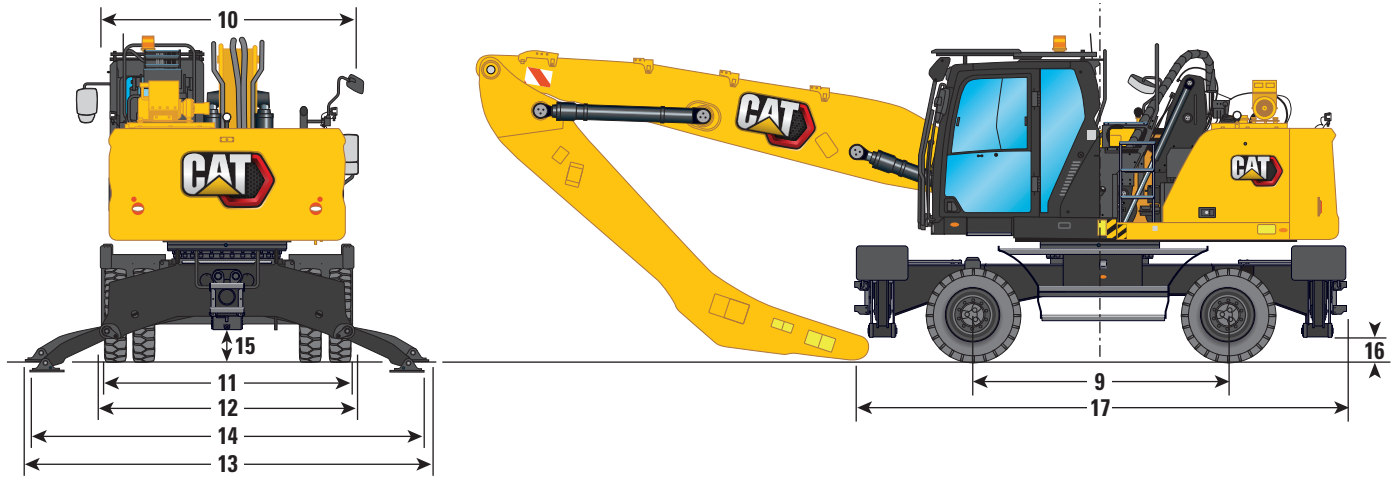


| Boom Options  | MH Boom<br>6.4 m (21'0")   |        |                           |        | MH Boom<br>7.45 m (24'5")  |        |                           |        |
|---|----------------------------|--------|---------------------------|--------|----------------------------|--------|---------------------------|--------|
|   | Drop Nose<br>5.0 m (16'5") |        | Straight<br>4.3 m (14'1") |        | Drop Nose<br>5.0 m (16'5") |        | Straight<br>4.3 m (14'1") |        |
| <b>1</b> Shipping Height with Falling Object Guard (highest point between boom and cab) | 3350 mm                    | 11'0"  | 3350 mm                   | 11'0"  | 3350 mm                    | 11'0"  | 3350 mm                   | 11'0"  |
| <b>2</b> Shipping Length  |                            |        |                           |        |                            |        |                           |        |
| 2.75 m (9'0") MH Undercarriage  | 9590 mm                    | 31'6"  | 9650 mm                   | 31'8"  | 10 670 mm                  | 35'0"  | 10 710 mm                 | 35'2"  |
| 2.75 m (9'0") MH Undercarriage with Push Blade  | 10 050 mm                  | 33'0"  | 10 050 mm                 | 33'0"  | 11 130 mm                  | 36'6"  | 10 710 mm                 | 35'2"  |
| 2.99 m (9'10") MH Undercarriage   | 9590 mm                    | 31'6"  | 9650 mm                   | 31'8"  | 10 670 mm                  | 35'0"  | 10 710 mm                 | 35'2"  |
| 2.99 m (9'10") MH Undercarriage with Push Blade   | 10 050 mm                  | 33'0"  | 10 050 mm                 | 33'0"  | 11 130 mm                  | 36'6"  | 10 710 mm                 | 35'2"  |
| <b>3</b> Support Point  | 2240 mm                    | 7'4"   | 2930 mm                   | 9'7"   | 3190 mm                    | 10'6"  | 3640 mm                   | 11'11" |
| <b>4</b> Machine Length   |                            |        |                           |        |                            |        |                           |        |
| 2.75 m (9'0") MH Undercarriage  | 5290 mm                    | 17'4"  | 5290 mm                   | 17'4"  | 5290 mm                    | 17'4"  | 5290 mm                   | 17'4"  |
| 2.75 m (9'0") MH Undercarriage with Push Blade  | 5740 mm                    | 18'10" | 5740 mm                   | 18'10" | 5740 mm                    | 18'10" | 5740 mm                   | 18'10" |
| 2.99 m (9'10") MH Undercarriage   | 5290 mm                    | 17'4"  | 5290 mm                   | 17'4"  | 5290 mm                    | 17'4"  | 5290 mm                   | 17'4"  |
| 2.99 m (9'10") MH Undercarriage with Push Blade   | 5740 mm                    | 18'10" | 5740 mm                   | 18'10" | 5740 mm                    | 18'10" | 5740 mm                   | 18'10" |
| <b>5</b> Tail Swing Radius  | 2600 mm                    | 8'6"   | 2600 mm                   | 8'6"   | 2600 mm                    | 8'6"   | 2600 mm                   | 8'6"   |
| <b>6</b> Counterweight Clearance  | 1300 mm                    | 4'3"   | 1300 mm                   | 4'3"   | 1300 mm                    | 4'3"   | 1300 mm                   | 4'3"   |
| <b>7</b> Cab Height   |                            |        |                           |        |                            |        |                           |        |
| Cab Lowered – without Falling Object Guard  | 3350 mm                    | 11'0"  | 3350 mm                   | 11'0"  | 3350 mm                    | 11'0"  | 3350 mm                   | 11'0"  |
| With Roof Wiper Guard   | 3470 mm                    | 11'5"  | 3470 mm                   | 11'5"  | 3470 mm                    | 11'5"  | 3470 mm                   | 11'5"  |
| Cab Lowered – with Falling Object Guard   | 3350 mm                    | 11'0"  | 3350 mm                   | 11'0"  | 3350 mm                    | 11'0"  | 3350 mm                   | 11'0"  |
| Cab Raised – without Falling Object Guard   | 5750 mm                    | 18'10" | 5750 mm                   | 18'10" | 5750 mm                    | 18'10" | 5750 mm                   | 18'10" |
| Cab Raised – with Falling Object Guard  | 5750 mm                    | 18'10" | 5750 mm                   | 18'10" | 5750 mm                    | 18'10" | 5750 mm                   | 18'10" |
| With Roof Wiper Guard   | 5870 mm                    | 19'3"  | 5870 mm                   | 19'3"  | 5870 mm                    | 19'3"  | 5870 mm                   | 19'3"  |
| <b>8</b> Upperframe Width   |                            |        |                           |        |                            |        |                           |        |
| Including Handrails   | 2540 mm                    | 8'4"   | 2540 mm                   | 8'4"   | 2540 mm                    | 8'4"   | 2540 mm                   | 8'4"   |

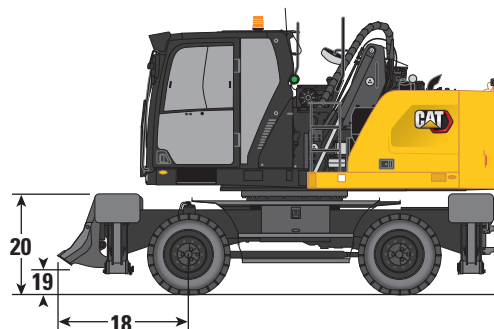
# MH3024 Material Handler Specifications

## Undercarriage Dimensions

All dimensions are approximate and may vary depending on bucket selection. Values are with 10.00-20 solid tires.



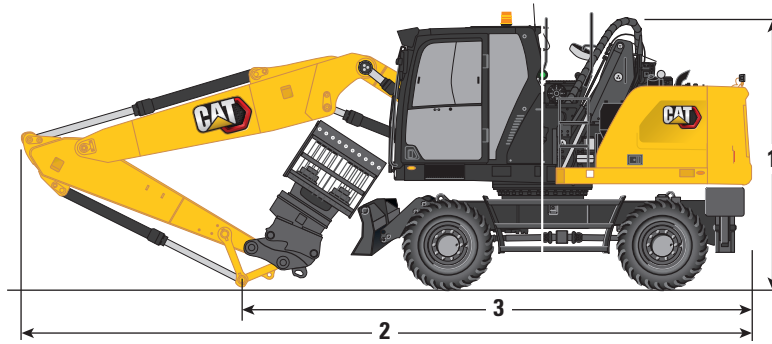
| Undercarriage                        | 2.75 m (9'0") |        | 2.99 m (9'10") |        |
|--------------------------------------|---------------|--------|----------------|--------|
| <b>9</b> Wheel Base                  | 2750 mm       | 9'0"   | 2750 mm        | 9'0"   |
| <b>10</b> Shipping Width             | 2750 mm       | 9'0"   | 2990 mm        | 9'10"  |
| Undercarriage Width                  |               |        |                |        |
| <b>11</b> Outside Tires              | 2650 mm       | 8'8"   | 2650 mm        | 8'8"   |
| <b>12</b> With Outriggers Up         | 2740 mm       | 9'0"   | 2990 mm        | 9'10"  |
| <b>13</b> With Outriggers on Ground  | 4330 mm       | 14'2"  | 4580 mm        | 15'0"  |
| <b>14</b> With Outriggers Fully Down | 4260 mm       | 14'0"  | 4510 mm        | 14'10" |
| Maximum Outrigger Depth              | 90 mm         | 0'4"   | 90 mm          | 0'4"   |
| Clearance to Ground                  |               |        |                |        |
| <b>15</b> Axle Clearance             | 320 mm        | 1'1"   | 320 mm         | 1'1"   |
| <b>16</b> Outrigger Clearance        | 240 mm        | 0'9"   | 240 mm         | 0'9"   |
| Undercarriage Length                 |               |        |                |        |
| <b>17</b> Without Push Blade         | 5300 mm       | 17'5"  | 5300 mm        | 17'5"  |
| With Push Blade                      | 5740 mm       | 18'10" | 5740 mm        | 18'10" |
| Push Blade                           |               |        |                |        |
| <b>18</b> Front Axle to Blade (end)  | 1950 mm       | 6'5"   | 1950 mm        | 6'5"   |
| <b>19</b> Clearance to Ground        | 320 mm        | 1'1"   | 320 mm         | 1'1"   |
| <b>20</b> Height                     | 930 mm        | 3'1"   | 930 mm         | 3'1"   |
| Width                                | 2740 mm       | 9'0"   | 2990 mm        | 9'10"  |



# MH3024 Material Handler Specifications

## Dimensions

All dimensions are approximate and may vary depending on bucket selection. Values are with 10.00-20 solid tires.

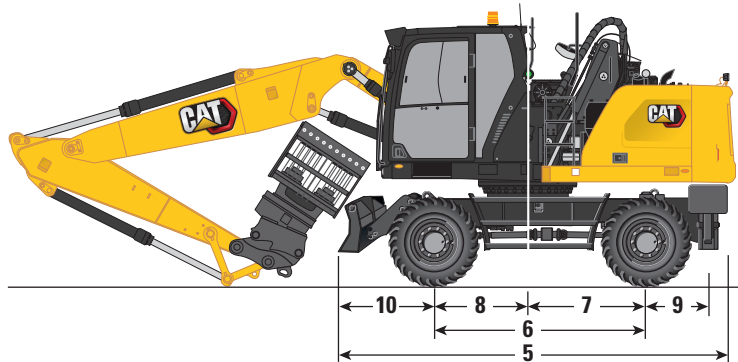


| Boom Options   | VA Boom<br>5.26 m (17'3") |              | One-Piece Boom<br>5.65 m (18'6") |              |         |       |         |        |
|--|---------------------------|--------------|----------------------------------|--------------|---------|-------|---------|--------|
|  | Straight                  |              | Straight                         |              |         |       |         |        |
| Stick Options  | 2.5 m (8'2")              | 2.9 m (9'6") | 2.5 m (8'2")                     | 2.9 m (9'6") |         |       |         |        |
| <b>1</b> Shipping Height with Falling Object Guard<br>(highest point between boom and cab) | 3350 mm                   | 11'0"        | 3500 mm                          | 11'6"        | 3350 mm | 11'0" | 3350 mm | 11'0"  |
| <b>2</b> Shipping Length   | 8925 mm                   | 29'3"        | 8875 mm                          | 29'1"        | 9325 mm | 30'7" | 9300 mm | 30'6"  |
| <b>3</b> Support Point   | 3580 mm                   | 11'9"        | 3420 mm                          | 11'3"        | 3820 mm | 12'6" | 3610 mm | 11'10" |

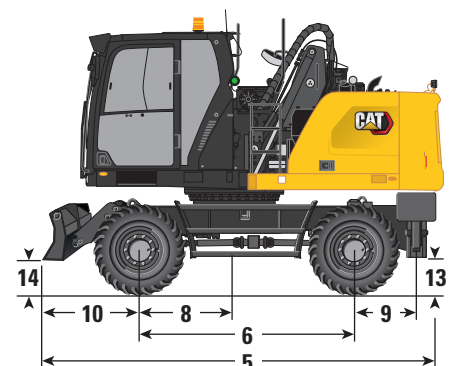
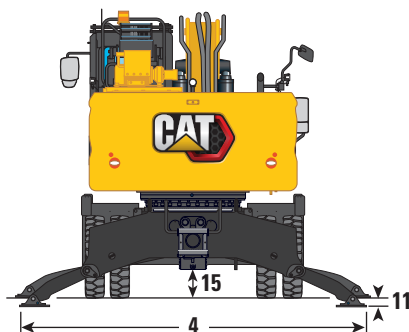
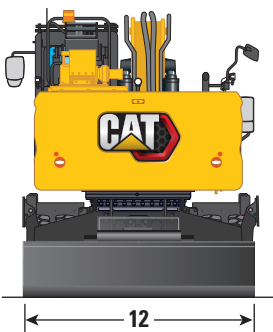
# MH3024 Material Handler Specifications

## Undercarriage Dimensions

All dimensions are approximate and may vary depending on bucket selection. Values are with 10.00-20 solid tires.



| Undercarriage                                | Front Outrigger/<br>Rear Blade |        | Front Blade/<br>Rear Outrigger |        |
|--|--------------------------------|--------|--------------------------------|--------|
| Undercarriage Width                          |                                |        |                                |        |
| Outside Tires                                | 2650 mm                        | 8'8"   | 2650 mm                        | 8'8"   |
| With Outriggers Up                           | 2750 mm                        | 9'0"   | 2750 mm                        | 9'0"   |
| With Outriggers on Ground                    | 4100 mm                        | 13'5"  | 4100 mm                        | 13'5"  |
| <b>4</b> With Outriggers Fully Down          | 3940 mm                        | 12'11" | 3940 mm                        | 12'11" |
| Shipping Width                               | 2750 mm                        | 9'0"   | 2750 mm                        | 9'0"   |
| <b>5</b> Undercarriage Length                | 5205 mm                        | 17'1"  | 5190 mm                        | 17'0"  |
| <b>6</b> Wheel Base                          | 2750 mm                        | 9'0"   | 2750 mm                        | 9'0"   |
| <b>7</b> Swing to Rear Axle                  | 1300 mm                        | 4'3"   | 1300 mm                        | 4'3"   |
| <b>8</b> Swing to Front Axle                 | 1450 mm                        | 4'9"   | 1450 mm                        | 4'9"   |
| <b>9</b> Rear Axle to Rear Outrigger (mid)   | —                              | —      | 800 mm                         | 2'7"   |
| Front Axle to Front Outrigger (mid)          | 940 mm                         | 3'1"   | —                              | —      |
| Rear Axle to Parallel Blade (end)            | 1225 mm                        | 4'0"   | —                              | —      |
| <b>10</b> Front Axle to Parallel Blade (end) | —                              | —      | 1350 mm                        | 4'5"   |
| <b>11</b> Maximum Outrigger Depth            | 150 mm                         | 0'6"   | 150 mm                         | 0'6"   |
| <b>12</b> Blade Width                        | 2750 mm                        | 9'0"   | 2750 mm                        | 9'0"   |
| Maximum Blade Depth                          | 165 mm                         | 0'6"   | 165 mm                         | 0'6"   |
| Clearance to Ground                          |                                |        |                                |        |
| <b>13</b> Outrigger Clearance                | 290 mm                         | 0'11"  | 290 mm                         | 0'11"  |
| <b>14</b> Blade Clearance                    | 455 mm                         | 1'6"   | 455 mm                         | 1'6"   |
| <b>15</b> Axle Clearance                     | 320 mm                         | 1'1"   | 320 mm                         | 1'1"   |

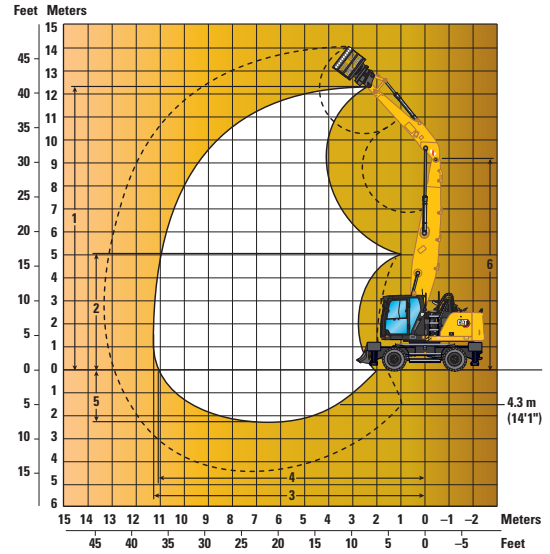
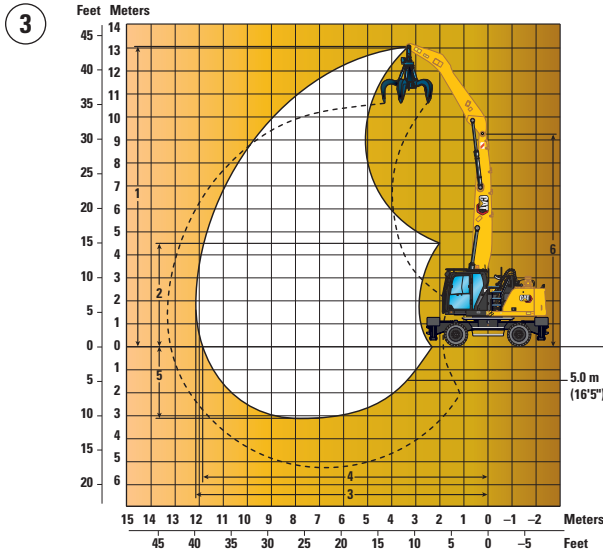
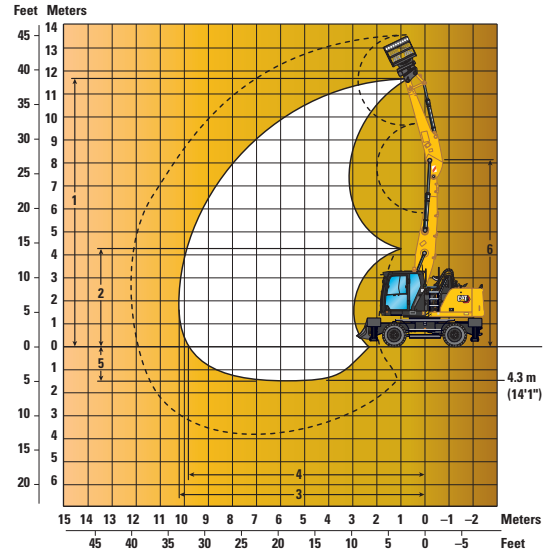
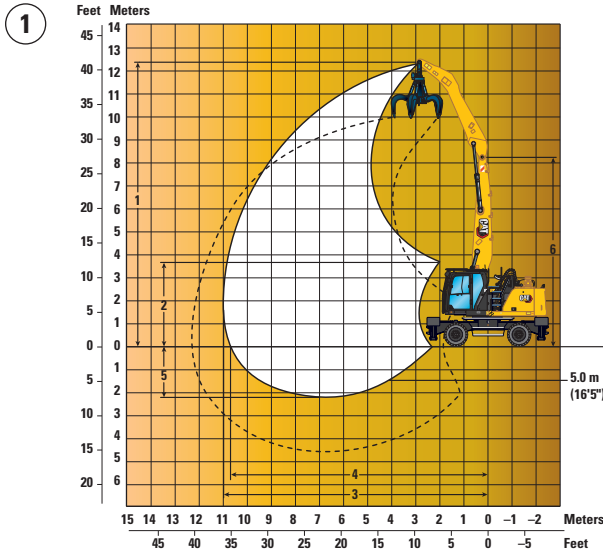




# MH3024 Material Handler Specifications

## Working Ranges

All dimensions are approximate and may vary depending on bucket selection.



### Boom Options

MH Boom  
6.4 m (21'0")

MH Boom  
7.45 m (24'5")

### Stick Options

①

②

③

④

Drop Nose  
5.0 m (16'5")

Straight  
4.3 m (14'1")

Drop Nose  
5.0 m (16'5")

Straight  
4.3 m (14'1")

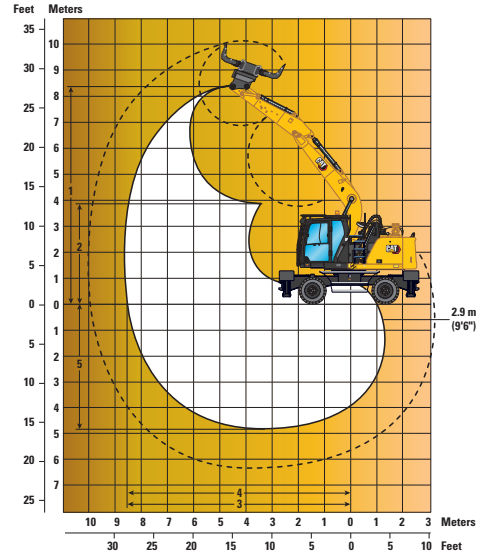
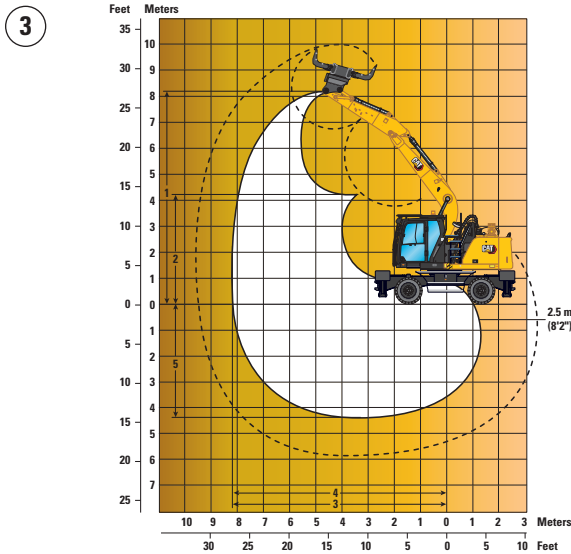
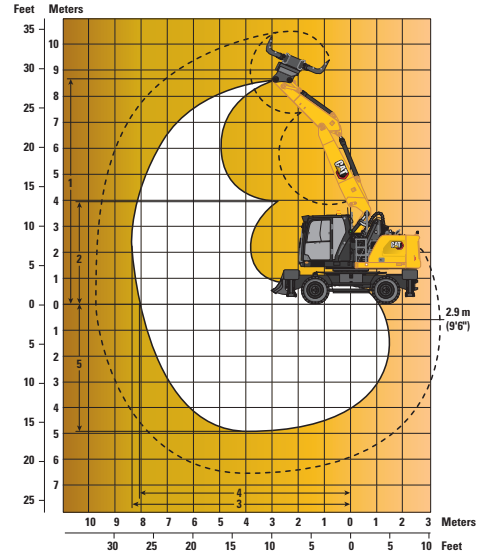
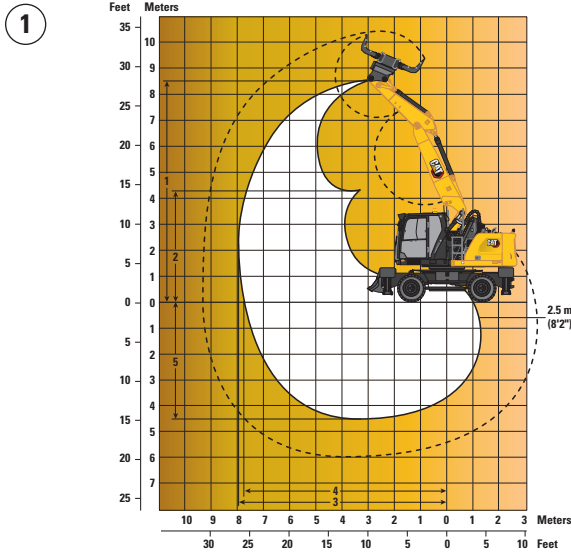
|                                | ①               | ②               | ③                | ④               |
|--------------------------------|-----------------|-----------------|------------------|-----------------|
| 1 Maximum Height               | 12 390 mm 40'8" | 11 710 mm 38'5" | 13 030 mm 42'9"  | 12 380 mm 40'7" |
| 2 Minimum Dump Height          | 3730 mm 12'3"   | 4290 mm 14'1"   | 4520 mm 14'10"   | 5130 mm 16'10"  |
| 3 Maximum Reach                | 11 000 mm 36'1" | 10 280 mm 33'9" | 12 010 mm 39'5"  | 11 300 mm 37'1" |
| 4 Maximum Reach at Ground Line | 10 670 mm 35'0" | 9800 mm 32'2"   | 11 870 mm 38'11" | 11 140 mm 36'7" |
| 5 Maximum Depth                | 2200 mm 7'3"    | 1500 mm 4'11"   | 3010 mm 9'11"    | 2310 mm 7'7"    |
| 6 Maximum Boom Pin Height      | 8200 mm 26'11"  | 8200 mm 26'11"  | 9260 mm 30'5"    | 9260 mm 30'5"   |

All dimensions refer to stick nose pin, with solid tires 10.00-20.  
These dimensions are independent from the undercarriage type.

# MH3024 Material Handler Specifications

## Working Ranges

All dimensions are approximate and may vary depending on bucket selection.



### Boom Options

VA Boom  
5.26 m (17'3")

One-Piece Boom  
5.65 m (18'6")

①

②

③

④

### Stick Options

|  | Straight     |              | Straight     |              |
|--|--------------|--------------|--------------|--------------|
|  | 2.5 m (8'2") | 2.9 m (9'6") | 2.5 m (8'2") | 2.9 m (9'6") |

|                                |         |        |         |        |         |       |         |        |
|--------------------------------|---------|--------|---------|--------|---------|-------|---------|--------|
| 1 Maximum Height               | 8500 mm | 27'11" | 8780 mm | 28'10" | 8220 mm | 27'0" | 8440 mm | 27'8"  |
| 2 Minimum Dump Height          | 4340 mm | 14'3"  | 3960 mm | 13'0"  | 4330 mm | 14'2" | 3930 mm | 12'11" |
| 3 Maximum Reach                | 7930 mm | 26'0"  | 8310 mm | 27'3"  | 8280 mm | 27'2" | 8660 mm | 28'5"  |
| 4 Maximum Reach at Ground Line | 7720 mm | 25'4"  | 8120 mm | 26'8"  | 8080 mm | 26'6" | 8470 mm | 27'9"  |
| 5 Maximum Depth                | 4490 mm | 14'9"  | 4890 mm | 16'1"  | 4460 mm | 14'8" | 4860 mm | 15'11" |

All dimensions refer to stick nose pin, with solid tires 10.00-20.  
These dimensions are independent from the undercarriage type.

# MH3024 Material Handler Specifications

## Lift Capacities

All values are in kg, work tool: none, hydraulic cab rise, solid tires, with counterweight (4700 kg), heavy lift on.



### Undercarriage

2.75 m or 2.99 m (MH)

### Boom

7.45 m (MH)

### Stick

5.0 m (Drop Nose)

|           | Undercarriage configuration              | 3000 mm |         |         | 4500 mm |         |         | 6000 mm |       |       | 7500 mm |       |       | 9000 mm |       |       | 10 500 mm |       |       | 12 000 mm |       |      |       | mm    |       |        |        |
|-----------|--|---------|---------|---------|---------|---------|---------|---------|-------|-------|---------|-------|-------|---------|-------|-------|-----------|-------|-------|-----------|-------|------|-------|-------|-------|--------|--------|
|           |  |         |         |         |         |         |         |         |       |       |         |       |       |         |       |       |           |       |       |           |       |      |       |       |       |        |        |
| 12 000 mm | Free on Wheels                           |         |         |         |         |         |         | *5550   | *5550 | 4900  |         |       |       |         |       |       |           |       |       |           |       |      | *5200 | *5200 | 4650  | 6200   |        |
|           | 2.75 m MH – 2 sets stabilizers – lowered |         |         |         |         |         |         | *5550   | *5550 | *5550 |         |       |       |         |       |       |           |       |       |           |       |      | *5200 | *5200 | *5200 |        |        |
|           | 2.99 m MH – 2 sets stabilizers – lowered |         |         |         |         |         |         | *5550   | *5550 | *5550 |         |       |       |         |       |       |           |       |       |           |       |      | *5200 | *5200 | *5200 |        |        |
| 10 500 mm | Free on Wheels                           |         |         |         |         |         |         | 6700    | 6750  | 5150  | 4600    | 4600  | 3500  |         |       |       |           |       |       |           |       |      |       | 3900  | 3900  | 2900   | 8220   |
|           | 2.75 m MH – 2 sets stabilizers – lowered |         |         |         |         |         |         | *7100   | *7100 | *7100 | *5700   | *5700 | *5700 |         |       |       |           |       |       |           |       |      | *4550 | *4550 | *4550 |        |        |
|           | 2.99 m MH – 2 sets stabilizers – lowered |         |         |         |         |         |         | *7100   | *7100 | *7100 | *5700   | *5700 | *5700 |         |       |       |           |       |       |           |       |      | *4550 | *4550 | *4550 |        |        |
| 9000 mm   | Free on Wheels                           |         |         |         |         |         |         | 6750    | 6750  | 5150  | 4650    | 4650  | 3500  | 3350    | 3400  | 2500  |           |       |       |           |       |      |       | 3000  | 3000  | 2200   | 9580   |
|           | 2.75 m MH – 2 sets stabilizers – lowered |         |         |         |         |         |         | *7950   | *7950 | *7950 | *6700   | *6700 | *6700 | *5350   | *5350 | *5350 |           |       |       |           |       |      |       | *4200 | *4200 | *4200  |        |
|           | 2.99 m MH – 2 sets stabilizers – lowered |         |         |         |         |         |         | *7950   | *7950 | *7950 | *6700   | *6700 | *6700 | *5350   | *5350 | *5350 |           |       |       |           |       |      |       | *4200 | *4200 | *4200  |        |
| 7500 mm   | Free on Wheels                           |         |         |         |         |         |         | 6650    | 6650  | 5050  | 4600    | 4600  | 3500  | 3350    | 3350  | 2500  | 2500      | 2500  | 1800  |           |       |      |       | 2500  | 2500  | 1800   | 10 560 |
|           | 2.75 m MH – 2 sets stabilizers – lowered |         |         |         |         |         |         | *8050   | *8050 | *8050 | *6750   | *6750 | *6750 | *5750   | *5750 | *5750 | 5150      | *4250 | *4250 | 3900      |       |      |       | *4100 | *4100 | 3850   |        |
|           | 2.99 m MH – 2 sets stabilizers – lowered |         |         |         |         |         |         | *8050   | *8050 | *8050 | *6750   | *6750 | *6750 | *5750   | *5750 | 5550  | *4250     | *4250 | *4250 |           |       |      |       | *4100 | *4100 | *4100  |        |
| 6000 mm   | Free on Wheels                           |         |         |         | 10 250  | 10 300  | 7650    | 6400    | 6400  | 4850  | 4450    | 4450  | 3350  | 3300    | 3300  | 2450  | 2500      | 2500  | 1800  |           |       |      |       | 2200  | 2200  | 1550   | 11 250 |
|           | 2.75 m MH – 2 sets stabilizers – lowered |         |         |         | *10 450 | *10 450 | *10 450 | *8350   | *8350 | *8350 | *6850   | *6850 | *6850 | *5800   | *5800 | *5800 | 5050      | *4900 | *4900 | 3900      |       |      |       | *4050 | *4050 | 3450   |        |
|           | 2.99 m MH – 2 sets stabilizers – lowered |         |         |         | *10 450 | *10 450 | *10 450 | *8350   | *8350 | *8350 | *6850   | *6850 | *6850 | *5800   | *5800 | 5450  | *4900     | *4900 | 4250  |           |       |      |       | *4050 | *4050 | 3750   |        |
| 4500 mm   | Free on Wheels                           | *15 350 | *15 350 | 13 400  | 9500    | 9550    | 7000    | 6000    | 6050  | 4500  | 4250    | 4250  | 3150  | 3150    | 2300  | 2450  | 2450      | 1750  |       |           |       |      | 2000  | 2000  | 1400  | 11 710 |        |
|           | 2.75 m MH – 2 sets stabilizers – lowered | *15 350 | *15 350 | *15 350 | *11 500 | *11 500 | *11 500 | *8750   | *8750 | *8750 | *7000   | *7000 | 6600  | *5800   | *5800 | 4900  | *4850     | *4850 | 3850  |           |       |      |       | *4000 | *4000 |        | 3200   |
|           | 2.99 m MH – 2 sets stabilizers – lowered | *15 350 | *15 350 | *15 350 | *11 500 | *11 500 | *11 500 | *8750   | *8750 | *8750 | *7000   | *7000 | *7000 | *5800   | *5800 | 5350  | *4850     | *4850 | 4150  |           |       |      |       | *4000 | *4000 |        | 3450   |
| 3000 mm   | Free on Wheels                           |         |         |         | 8500    | 8550    | 6100    | 5550    | 5550  | 4050  | 4000    | 4000  | 2900  | 3000    | 3000  | 2200  | 2350      | 2350  | 1650  |           |       |      |       | 1850  | 1900  | 1300   | 11 960 |
|           | 2.75 m MH – 2 sets stabilizers – lowered |         |         |         | *12 250 | *12 250 | *12 250 | *9000   | *9000 | *9000 | *7100   | *7100 | 6300  | *5750   | *5750 | 4750  | *4700     | *4700 | 3750  |           |       |      |       | *3650 | *3650 | 3050   |        |
|           | 2.99 m MH – 2 sets stabilizers – lowered |         |         |         | *12 250 | *12 250 | *12 250 | *9000   | *9000 | *9000 | *7100   | *7100 | 6850  | *5750   | *5750 | 5150  | *4700     | *4700 | 4050  |           |       |      |       | *3650 | *3650 | 3300   |        |
| 1500 mm   | Free on Wheels                           |         |         |         | 7650    | 7650    | 5300    | 5100    | 5150  | 3650  | 3750    | 3750  | 2650  | 2850    | 2850  | 2050  | 2250      | 2250  | 1600  | 1800      | 1850  | 1250 | 1800  | 1850  | 1250  | 12 010 |        |
|           | 2.75 m MH – 2 sets stabilizers – lowered |         |         |         | *8200   | *8200   | *8200   | *8850   | *8850 | 8450  | *6900   | *6900 | 6000  | *5550   | *5550 | 4600  | *4400     | *4400 | 3650  | *3250     | *3250 | 3000 | *3250 | *3250 | 2950  |        |        |
|           | 2.99 m MH – 2 sets stabilizers – lowered |         |         |         | *8200   | *8200   | *8200   | *8850   | *8850 | *8850 | *6900   | *6900 | 6600  | *5550   | *5550 | 5000  | *4400     | *4400 | 3950  | *3250     | *3250 | 3250 | *3250 | *3250 | *3250 |        |        |
| 0 mm      | Free on Wheels                           |         |         |         | *5450   | *5450   | 4850    | 4800    | 4800  | 3350  | 3550    | 3550  | 2500  | 2750    | 2750  | 1900  | 2200      | 2200  | 1500  |           |       |      |       | 1800  | 1850  | 1250   | 11 870 |
|           | 2.75 m MH – 2 sets stabilizers – lowered |         |         |         | *5450   | *5450   | *5450   | *8100   | *8100 | 8100  | *6400   | *6400 | 5800  | *5050   | *5050 | 4450  | *3950     | *3950 | 3550  |           |       |      |       | *2750 | *2750 | *2750  |        |
|           | 2.99 m MH – 2 sets stabilizers – lowered |         |         |         | *5450   | *5450   | *5450   | *8100   | *8100 | *8100 | *6400   | *6400 | 6350  | *5050   | *5050 | 4850  | *3950     | *3950 | 3900  |           |       |      |       | *2750 | *2750 | *2750  |        |
| -1500 mm  | Free on Wheels                           |         |         |         | *5500   | *5500   | 4700    | 4600    | 4650  | 3200  | 3400    | 3450  | 2350  | 2650    | 2650  | 1850  | 2150      | 2150  | 1500  |           |       |      |       |       |       |        |        |
|           | 2.75 m MH – 2 sets stabilizers – lowered |         |         |         | *5500   | *5500   | *5500   | *6700   | *6700 | *6700 | *5450   | *5450 | *5450 | *4300   | *4300 | *4300 | *3150     | *3150 | *3150 |           |       |      |       |       |       |        |        |
|           | 2.99 m MH – 2 sets stabilizers – lowered |         |         |         | *5500   | *5500   | *5500   | *6700   | *6700 | *6700 | *5450   | *5450 | *5450 | *4300   | *4300 | *4300 | *3150     | *3150 | *3150 |           |       |      |       |       |       |        |        |
| -3000 mm  | Free on Wheels                           |         |         |         |         |         |         |         |       |       |         | 3350  | 3400  | 2300    |       |       |           |       |       |           |       |      |       |       |       |        |        |
|           | 2.75 m MH – 2 sets stabilizers – lowered |         |         |         |         |         |         |         |       |       |         | *4000 | *4000 | *4000   |       |       |           |       |       |           |       |      |       |       |       |        |        |
|           | 2.99 m MH – 2 sets stabilizers – lowered |         |         |         |         |         |         |         |       |       |         | *4000 | *4000 | *4000   |       |       |           |       |       |           |       |      |       |       |       |        |        |

\*Limited by hydraulic rather than tipping load.

Lift capacity ratings are based on ISO 10567:2007, they do not exceed 87% of hydraulic lifting capacity or 75% of tipping load. The load point is the center line of the bucket pivot mounting pin on the stick. The oscillating axle must be locked. Lifting capacities are based on the machine standing on a firm uniform supporting surface. For lifting capacity including bucket and/or quick coupler, the respective weight has to be subtracted from above values. The use of a work tool attachment point to handle/lift objects, could affect the machine lift performance.

Always refer to the appropriate Operation and Maintenance Manual for specific product information.

# MH3024 Material Handler Specifications

## Lift Capacities

All values are in lb, work tool: none, hydraulic cab rise, solid tires, with counterweight (10,370 lb), heavy lift on.



### Undercarriage 9'0" or 9'10" (MH)

### Boom 24'5" (MH)

### Stick 16'5" (Drop Nose)

| Undercarriage configuration             | 10 ft |  |  | 15 ft |  |  | 20 ft |  |  | 25 ft |  |  | 30 ft |  |  | 35 ft |  |  | ft |  |         |         |         |
|---|-------|--|--|-------|--|--|-------|--|--|-------|--|--|-------|--|--|-------|--|--|----|--|---------|---------|---------|
|   |       |  |  |       |  |  |       |  |  |       |  |  |       |  |  |       |  |  |    |  |         |         |         |
| Free on Wheels                          |       |  |  |       |  |  |       |  |  |       |  |  |       |  |  |       |  |  |    |  |         |         |         |
| 9'0" MH – 2 sets stabilizers – lowered  |       |  |  |       |  |  |       |  |  |       |  |  |       |  |  |       |  |  |    |  | *11,800 | *11,800 | 11,200  |
| 9'10" MH – 2 sets stabilizers – lowered |       |  |  |       |  |  |       |  |  |       |  |  |       |  |  |       |  |  |    |  | *11,800 | *11,800 | *11,800 |
| Free on Wheels                          |       |  |  |       |  |  |       |  |  |       |  |  |       |  |  |       |  |  |    |  |         |         |         |
| 9'0" MH – 2 sets stabilizers – lowered  |       |  |  |       |  |  |       |  |  |       |  |  |       |  |  |       |  |  |    |  |         |         |         |
| 9'10" MH – 2 sets stabilizers – lowered |       |  |  |       |  |  |       |  |  |       |  |  |       |  |  |       |  |  |    |  |         |         |         |
| Free on Wheels                          |       |  |  |       |  |  |       |  |  |       |  |  |       |  |  |       |  |  |    |  |         |         |         |
| 9'0" MH – 2 sets stabilizers – lowered  |       |  |  |       |  |  |       |  |  |       |  |  |       |  |  |       |  |  |    |  |         |         |         |
| 9'10" MH – 2 sets stabilizers – lowered |       |  |  |       |  |  |       |  |  |       |  |  |       |  |  |       |  |  |    |  |         |         |         |
| Free on Wheels                          |       |  |  |       |  |  |       |  |  |       |  |  |       |  |  |       |  |  |    |  |         |         |         |
| 9'0" MH – 2 sets stabilizers – lowered  |       |  |  |       |  |  |       |  |  |       |  |  |       |  |  |       |  |  |    |  |         |         |         |
| 9'10" MH – 2 sets stabilizers – lowered |       |  |  |       |  |  |       |  |  |       |  |  |       |  |  |       |  |  |    |  |         |         |         |
| Free on Wheels                          |       |  |  |       |  |  |       |  |  |       |  |  |       |  |  |       |  |  |    |  |         |         |         |
| 9'0" MH – 2 sets stabilizers – lowered  |       |  |  |       |  |  |       |  |  |       |  |  |       |  |  |       |  |  |    |  |         |         |         |
| 9'10" MH – 2 sets stabilizers – lowered |       |  |  |       |  |  |       |  |  |       |  |  |       |  |  |       |  |  |    |  |         |         |         |
| Free on Wheels                          |       |  |  |       |  |  |       |  |  |       |  |  |       |  |  |       |  |  |    |  |         |         |         |
| 9'0" MH – 2 sets stabilizers – lowered  |       |  |  |       |  |  |       |  |  |       |  |  |       |  |  |       |  |  |    |  |         |         |         |
| 9'10" MH – 2 sets stabilizers – lowered |       |  |  |       |  |  |       |  |  |       |  |  |       |  |  |       |  |  |    |  |         |         |         |
| Free on Wheels                          |       |  |  |       |  |  |       |  |  |       |  |  |       |  |  |       |  |  |    |  |         |         |         |
| 9'0" MH – 2 sets stabilizers – lowered  |       |  |  |       |  |  |       |  |  |       |  |  |       |  |  |       |  |  |    |  |         |         |         |
| 9'10" MH – 2 sets stabilizers – lowered |       |  |  |       |  |  |       |  |  |       |  |  |       |  |  |       |  |  |    |  |         |         |         |
| Free on Wheels                          |       |  |  |       |  |  |       |  |  |       |  |  |       |  |  |       |  |  |    |  |         |         |         |
| 9'0" MH – 2 sets stabilizers – lowered  |       |  |  |       |  |  |       |  |  |       |  |  |       |  |  |       |  |  |    |  |         |         |         |
| 9'10" MH – 2 sets stabilizers – lowered |       |  |  |       |  |  |       |  |  |       |  |  |       |  |  |       |  |  |    |  |         |         |         |
| Free on Wheels                          |       |  |  |       |  |  |       |  |  |       |  |  |       |  |  |       |  |  |    |  |         |         |         |
| 9'0" MH – 2 sets stabilizers – lowered  |       |  |  |       |  |  |       |  |  |       |  |  |       |  |  |       |  |  |    |  |         |         |         |
| 9'10" MH – 2 sets stabilizers – lowered |       |  |  |       |  |  |       |  |  |       |  |  |       |  |  |       |  |  |    |  |         |         |         |
| Free on Wheels                          |       |  |  |       |  |  |       |  |  |       |  |  |       |  |  |       |  |  |    |  |         |         |         |
| 9'0" MH – 2 sets stabilizers – lowered  |       |  |  |       |  |  |       |  |  |       |  |  |       |  |  |       |  |  |    |  |         |         |         |
| 9'10" MH – 2 sets stabilizers – lowered |       |  |  |       |  |  |       |  |  |       |  |  |       |  |  |       |  |  |    |  |         |         |         |
| Free on Wheels                          |       |  |  |       |  |  |       |  |  |       |  |  |       |  |  |       |  |  |    |  |         |         |         |
| 9'0" MH – 2 sets stabilizers – lowered  |       |  |  |       |  |  |       |  |  |       |  |  |       |  |  |       |  |  |    |  |         |         |         |
| 9'10" MH – 2 sets stabilizers – lowered |       |  |  |       |  |  |       |  |  |       |  |  |       |  |  |       |  |  |    |  |         |         |         |
| Free on Wheels                          |       |  |  |       |  |  |       |  |  |       |  |  |       |  |  |       |  |  |    |  |         |         |         |
| 9'0" MH – 2 sets stabilizers – lowered  |       |  |  |       |  |  |       |  |  |       |  |  |       |  |  |       |  |  |    |  |         |         |         |
| 9'10" MH – 2 sets stabilizers – lowered |       |  |  |       |  |  |       |  |  |       |  |  |       |  |  |       |  |  |    |  |         |         |         |
| Free on Wheels                          |       |  |  |       |  |  |       |  |  |       |  |  |       |  |  |       |  |  |    |  |         |         |         |
| 9'0" MH – 2 sets stabilizers – lowered  |       |  |  |       |  |  |       |  |  |       |  |  |       |  |  |       |  |  |    |  |         |         |         |
| 9'10" MH – 2 sets stabilizers – lowered |       |  |  |       |  |  |       |  |  |       |  |  |       |  |  |       |  |  |    |  |         |         |         |
| Free on Wheels                          |       |  |  |       |  |  |       |  |  |       |  |  |       |  |  |       |  |  |    |  |         |         |         |
| 9'0" MH – 2 sets stabilizers – lowered  |       |  |  |       |  |  |       |  |  |       |  |  |       |  |  |       |  |  |    |  |         |         |         |
| 9'10" MH – 2 sets stabilizers – lowered |       |  |  |       |  |  |       |  |  |       |  |  |       |  |  |       |  |  |    |  |         |         |         |
| Free on Wheels                          |       |  |  |       |  |  |       |  |  |       |  |  |       |  |  |       |  |  |    |  |         |         |         |
| 9'0" MH – 2 sets stabilizers – lowered  |       |  |  |       |  |  |       |  |  |       |  |  |       |  |  |       |  |  |    |  |         |         |         |
| 9'10" MH – 2 sets stabilizers – lowered |       |  |  |       |  |  |       |  |  |       |  |  |       |  |  |       |  |  |    |  |         |         |         |
| Free on Wheels                          |       |  |  |       |  |  |       |  |  |       |  |  |       |  |  |       |  |  |    |  |         |         |         |
| 9'0" MH – 2 sets stabilizers – lowered  |       |  |  |       |  |  |       |  |  |       |  |  |       |  |  |       |  |  |    |  |         |         |         |
| 9'10" MH – 2 sets stabilizers – lowered |       |  |  |       |  |  |       |  |  |       |  |  |       |  |  |       |  |  |    |  |         |         |         |

\*Limited by hydraulic rather than tipping load.

Lift capacity ratings are based on ISO 10567:2007, they do not exceed 87% of hydraulic lifting capacity or 75% of tipping load. The load point is the center line of the bucket pivot mounting pin on the stick. The oscillating axle must be locked. Lifting capacities are based on the machine standing on a firm uniform supporting surface. For lifting capacity including bucket and/or quick coupler, the respective weight has to be subtracted from above values. The use of a work tool attachment point to handle/lift objects, could affect the machine lift performance.

Always refer to the appropriate Operation and Maintenance Manual for specific product information.

# MH3024 Material Handler Specifications

## Lift Capacities

All values are in kg, work tool: none, hydraulic cab rise, solid tires, with counterweight (4700 kg), heavy lift on.



### Undercarriage

2.75 m or 2.99 m (MH)

### Boom

6.4 m (MH)

### Stick

5.0 m (Drop Nose)

| Load point height | Undercarriage configuration              | 3000 mm         |                |                | 4500 mm         |                |                | 6000 mm         |                |                | 7500 mm         |                |                | 9000 mm         |                |                | 10 500 mm       |                |                | Load at maximum reach (stick nose/bucket pin) |                |                | mm    |       |       |       |       |       |        |  |
|-------------------|--|-----------------|----------------|----------------|-----------------|----------------|----------------|-----------------|----------------|----------------|-----------------|----------------|----------------|-----------------|----------------|----------------|-----------------|----------------|----------------|---|----------------|----------------|-------|-------|-------|-------|-------|-------|--------|--|
|                   |  | Load over front | Load over rear | Load over side | Load over front | Load over rear | Load over side | Load over front | Load over rear | Load over side | Load over front | Load over rear | Load over side | Load over front | Load over rear | Load over side | Load over front | Load over rear | Load over side | Load over front                               | Load over rear | Load over side |       |       |       |       |       |       |        |  |
| 12 000 mm         | Free on Wheels                           | *7650           | *7650          | *7650          |                 |                |                |                 |                |                |                 |                |                |                 |                |                |                 |                |                |   |                |                | *6500 | *6500 | *6500 | 3820  |       |       |        |  |
|                   | 2.75 m MH – 2 sets stabilizers – lowered | *7650           | *7650          | *7650          |                 |                |                |                 |                |                |                 |                |                |                 |                |                |                 |                |                |   |                |                | *6500 | *6500 | *6500 |       |       |       |        |  |
|                   | 2.99 m MH – 2 sets stabilizers – lowered | *7650           | *7650          | *7650          |                 |                |                |                 |                |                |                 |                |                |                 |                |                |                 |                |                |   |                |                | *6500 | *6500 | *6500 |       |       |       |        |  |
| 10 500 mm         | Free on Wheels                           |                 |                |                | *7500           | *7500          | *7500          | *5950           | *5950          | 5000           |                 |                |                |                 |                |                |                 |                |                |   |                |                |       |       |       | *4900 | *4900 | 4200  | 6640   |  |
|                   | 2.75 m MH – 2 sets stabilizers – lowered |                 |                |                | *7500           | *7500          | *7500          | *5950           | *5950          | *5950          |                 |                |                |                 |                |                |                 |                |                |   |                |                |       |       |       | *4900 | *4900 | *4900 |        |  |
|                   | 2.99 m MH – 2 sets stabilizers – lowered |                 |                |                | *7500           | *7500          | *7500          | *5950           | *5950          | *5950          |                 |                |                |                 |                |                |                 |                |                |   |                |                |       |       |       | *4900 | *4900 | *4900 |        |  |
| 9000 mm           | Free on Wheels                           |                 |                |                |                 |                |                | 6700            | 6750           | 5150           | 4600            | 4650           | 3500           |                 |                |                |                 |                |                |   |                |                |       |       |       | 3900  | 3900  | 2950  | 8270   |  |
|                   | 2.75 m MH – 2 sets stabilizers – lowered |                 |                |                |                 |                |                | *7350           | *7350          | *7350          | *5800           | *5800          | *5800          |                 |                |                |                 |                |                |   |                |                |       |       |       | *4400 | *4400 | *4400 |        |  |
|                   | 2.99 m MH – 2 sets stabilizers – lowered |                 |                |                |                 |                |                | *7350           | *7350          | *7350          | *5800           | *5800          | *5800          |                 |                |                |                 |                |                |   |                |                |       |       |       | *4400 | *4400 | *4400 |        |  |
| 7500 mm           | Free on Wheels                           |                 |                |                |                 |                |                | 6700            | 6700           | 5150           | 4650            | 4650           | 3550           | 3400            | 3400           | 2550           |                 |                |                |   |                |                |       |       |       | 3150  | 3150  | 2350  | 9390   |  |
|                   | 2.75 m MH – 2 sets stabilizers – lowered |                 |                |                |                 |                |                | *8000           | *8000          | *8000          | *6900           | *6900          | *6900          | *5050           | *5050          | *5050          |                 |                |                |   |                |                |       |       |       | *4150 | *4150 | *4150 |        |  |
|                   | 2.99 m MH – 2 sets stabilizers – lowered |                 |                |                |                 |                |                | *8000           | *8000          | *8000          | *6900           | *6900          | *6900          | *5050           | *5050          | *5050          |                 |                |                |   |                |                |       |       |       | *4150 | *4150 | *4150 |        |  |
| 6000 mm           | Free on Wheels                           |                 |                |                | *9300           | *9300          | 7900           | 6550            | 6600           | 5000           | 4550            | 4600           | 3450           | 3350            | 3400           | 2550           |                 |                |                |   |                |                |       |       |       | 2700  | 2700  | 2000  | 10 160 |  |
|                   | 2.75 m MH – 2 sets stabilizers – lowered |                 |                |                | *9300           | *9300          | *9300          | *8250           | *8250          | *8250          | *6950           | *6950          | 6950           | *5950           | *5950          | 5100           |                 |                |                |   |                |                |       |       |       | *4050 | *4050 | *4050 |        |  |
|                   | 2.99 m MH – 2 sets stabilizers – lowered |                 |                |                | *9300           | *9300          | *9300          | *8250           | *8250          | *8250          | *6950           | *6950          | *6950          | *5950           | *5950          | 5550           |                 |                |                |   |                |                |       |       |       | *4050 | *4050 | *4050 |        |  |
| 4500 mm           | Free on Wheels                           |                 |                |                | 10 000          | 10 050         | 7450           | 6300            | 6300           | 4750           | 4400            | 4450           | 3350           | 3300            | 3300           | 2450           | 2550            | 2550           | 1850           | 2450  | 2450           | 1800           |       |       |       | 2450  | 2450  | 1800  | 10 670 |  |
|                   | 2.75 m MH – 2 sets stabilizers – lowered |                 |                |                | *10 950         | *10 950        | *10 950        | *8650           | *8650          | *8650          | *7150           | *7150          | 6750           | *6000           | *6000          | 5050           | *4600           | *4600          | 3900           | *4100   | *4100          | 3800           |       |       |       | *4100 | *4100 | 3800  |        |  |
|                   | 2.99 m MH – 2 sets stabilizers – lowered |                 |                |                | *10 950         | *10 950        | *10 950        | *8650           | *8650          | *8650          | *7150           | *7150          | *7150          | *6000           | *6000          | 5450           | *4600           | *4600          | 4250           | *4100   | *4100          | *4100          |       |       |       | *4100 | *4100 | *4100 |        |  |
| 3000 mm           | Free on Wheels                           | *18 200         | *18 200        | 12 750         | 9250            | 9300           | 6800           | 5950            | 5950           | 4400           | 4200            | 4250           | 3150           | 3200            | 3200           | 2350           | 2500            | 2500           | 1800           | 2300  | 2300           | 1650           |       |       |       | 2300  | 2300  | 1650  | 10 940 |  |
|                   | 2.75 m MH – 2 sets stabilizers – lowered | *18 200         | *18 200        | *18 200        | *12 100         | *12 100        | *12 100        | *9100           | *9100          | *9100          | *7250           | *7250          | 6550           | *5950           | *5950          | 4900           | *4750           | *4750          | 3850           | *4200   | *4200          | 3600           |       |       |       | *4200 | *4200 | 3600  |        |  |
|                   | 2.99 m MH – 2 sets stabilizers – lowered | *18 200         | *18 200        | *18 200        | *12 100         | *12 100        | *12 100        | *9100           | *9100          | *9100          | *7250           | *7250          | 7100           | *5950           | *5950          | 5350           | *4750           | *4750          | 4200           | *4200   | *4200          | 3950           |       |       |       | *4200 | *4200 | 3950  |        |  |
| 1500 mm           | Free on Wheels                           | *5550           | *5550          | *5550          | 8450            | 8500           | 6050           | 5550            | 5550           | 4050           | 4000            | 4050           | 2950           | 3050            | 3100           | 2250           | 2400            | 2450           | 1750           | 2250  | 2250           | 1600           |       |       |       | 2250  | 2250  | 1600  | 11 000 |  |
|                   | 2.75 m MH – 2 sets stabilizers – lowered | *5550           | *5550          | *5550          | *12 650         | *12 650        | *12 650        | *9300           | *9300          | 8950           | *7250           | *7250          | 6300           | *5750           | *5750          | 4800           | *4450           | *4450          | 3800           | *3900   | *3900          | 3550           |       |       |       | *3900 | *3900 | 3550  |        |  |
|                   | 2.99 m MH – 2 sets stabilizers – lowered | *5550           | *5550          | *5550          | *12 650         | *12 650        | *12 650        | *9300           | *9300          | *9300          | *7250           | *7250          | 6900           | *5750           | *5750          | 5200           | *4450           | *4450          | 4150           | *3900   | *3900          | 3850           |       |       |       | *3900 | *3900 | 3850  |        |  |
| 0 mm              | Free on Wheels                           | *3850           | *3850          | *3850          | 7900            | 7950           | 5550           | 5250            | 5250           | 3800           | 3850            | 3850           | 2800           | 2950            | 3000           | 2150           | 2350            | 2400           | 1700           |   |                |                |       |       |       |       |       |       |        |  |
|                   | 2.75 m MH – 2 sets stabilizers – lowered | *3850           | *3850          | *3850          | *12 000         | *12 000        | *12 000        | *8850           | *8850          | 8600           | *6850           | *6850          | 6100           | *5300           | *5300          | 4700           | *3850           | *3850          | 3750           |   |                |                |       |       |       |       |       |       |        |  |
|                   | 2.99 m MH – 2 sets stabilizers – lowered | *3850           | *3850          | *3850          | *12 000         | *12 000        | *12 000        | *8850           | *8850          | *8850          | *6850           | *6850          | 6700           | *5300           | *5300          | 5100           | *3850           | *3850          | *3850          |   |                |                |       |       |       |       |       |       |        |  |
| -1500 mm          | Free on Wheels                           |                 |                |                | 7650            | 7650           | 5300           | 5050            | 5100           | 3600           | 3700            | 3750           | 2650           | 2900            | 2900           | 2100           |                 |                |                |   |                |                |       |       |       |       |       |       |        |  |
|                   | 2.75 m MH – 2 sets stabilizers – lowered |                 |                |                | *9750           | *9750          | *9750          | *7700           | *7700          | *7700          | *5900           | *5900          | *5900          | *4400           | *4400          | *4400          |                 |                |                |   |                |                |       |       |       |       |       |       |        |  |
|                   | 2.99 m MH – 2 sets stabilizers – lowered |                 |                |                | *9750           | *9750          | *9750          | *7700           | *7700          | *7700          | *5900           | *5900          | *5900          | *4400           | *4400          | *4400          |                 |                |                |   |                |                |       |       |       |       |       |       |        |  |

\*Limited by hydraulic rather than tipping load.

Lift capacity ratings are based on ISO 10567:2007, they do not exceed 87% of hydraulic lifting capacity or 75% of tipping load. The load point is the center line of the bucket pivot mounting pin on the stick. The oscillating axle must be locked. Lifting capacities are based on the machine standing on a firm uniform supporting surface. For lifting capacity including bucket and/or quick coupler, the respective weight has to be subtracted from above values. The use of a work tool attachment point to handle/lift objects, could affect the machine lift performance.

Always refer to the appropriate Operation and Maintenance Manual for specific product information.

# MH3024 Material Handler Specifications

## Lift Capacities

All values are in lb, work tool: none, hydraulic cab rise, solid tires, with counterweight (10,370 lb), heavy lift on.



### Undercarriage

9'0" or 9'10" (MH)

### Boom

21'0" (MH)

### Stick

16'5" (Drop Nose)

| Undercarriage configuration                      | 10 ft   |         |         | 15 ft   |         |         | 20 ft   |         |         | 25 ft   |         |         | 30 ft   |         |         | 35 ft   |         |        | ft      |         |         |
|--|---------|---------|---------|---------|---------|---------|---------|---------|---------|---------|---------|---------|---------|---------|---------|---------|---------|--------|---------|---------|---------|
|  |         |         |         |         |         |         |         |         |         |         |         |         |         |         |         |         |         |        |         |         |         |
| 40 ft<br>Free on Wheels                          | *16,100 | *16,100 | *16,100 |         |         |         |         |         |         |         |         |         |         |         |         |         |         |        | *15,500 | *15,500 | *15,500 |
| 40 ft<br>9'0" MH – 2 sets stabilizers – lowered  | *16,100 | *16,100 | *16,100 |         |         |         |         |         |         |         |         |         |         |         |         |         |         |        | *15,500 | *15,500 | *15,500 |
| 40 ft<br>9'10" MH – 2 sets stabilizers – lowered | *16,100 | *16,100 | *16,100 |         |         |         |         |         |         |         |         |         |         |         |         |         |         |        | *15,500 | *15,500 | *15,500 |
| 35 ft<br>Free on Wheels                          |         |         |         | *16,100 | *16,100 | *16,100 | *12,200 | *12,200 | 10,700  |         |         |         |         |         |         |         |         |        | *11,000 | *11,000 | 9,800   |
| 35 ft<br>9'0" MH – 2 sets stabilizers – lowered  |         |         |         | *16,100 | *16,100 | *16,100 | *12,200 | *12,200 | *12,200 |         |         |         |         |         |         |         |         |        | *11,000 | *11,000 | *11,000 |
| 35 ft<br>9'10" MH – 2 sets stabilizers – lowered |         |         |         | *16,100 | *16,100 | *16,100 | *12,200 | *12,200 | *12,200 |         |         |         |         |         |         |         |         |        | *11,000 | *11,000 | *11,000 |
| 30 ft<br>Free on Wheels                          |         |         |         |         |         |         | 14,400  | 14,400  | 11,000  | 9,900   | 9,900   | 7,500   |         |         |         |         |         |        | 8,800   | 8,800   | 6,600   |
| 30 ft<br>9'0" MH – 2 sets stabilizers – lowered  |         |         |         |         |         |         | *15,800 | *15,800 | *15,800 | *12,000 | *12,000 | *12,000 |         |         |         |         |         |        | *9,700  | *9,700  | *9,700  |
| 30 ft<br>9'10" MH – 2 sets stabilizers – lowered |         |         |         |         |         |         | *15,800 | *15,800 | *15,800 | *12,000 | *12,000 | *12,000 |         |         |         |         |         |        | *9,700  | *9,700  | *9,700  |
| 25 ft<br>Free on Wheels                          |         |         |         |         |         |         | 14,400  | 14,400  | 11,000  | 10,000  | 10,000  | 7,600   | 7,200   | 7,300   | 5,400   |         |         |        | 7,000   | 7,000   | 5,200   |
| 25 ft<br>9'0" MH – 2 sets stabilizers – lowered  |         |         |         |         |         |         | *17,500 | *17,500 | *17,500 | *15,000 | *15,000 | *15,000 | *10,100 | *10,100 | *10,100 |         |         |        | *9,200  | *9,200  | *9,200  |
| 25 ft<br>9'10" MH – 2 sets stabilizers – lowered |         |         |         |         |         |         | *17,500 | *17,500 | *17,500 | *15,000 | *15,000 | *15,000 | *10,100 | *10,100 | *10,100 |         |         |        | *9,200  | *9,200  | *9,200  |
| 20 ft<br>Free on Wheels                          |         |         |         | *20,400 | *20,400 | 17,100  | 14,100  | 14,200  | 10,800  | 9,800   | 9,900   | 7,500   | 7,200   | 7,300   | 5,400   |         |         |        | 6,000   | 6,000   | 4,400   |
| 20 ft<br>9'0" MH – 2 sets stabilizers – lowered  |         |         |         | *20,400 | *20,400 | *20,400 | *17,900 | *17,900 | *17,900 | *15,200 | *15,200 | *14,900 | *13,000 | *13,000 | 11,000  |         |         |        | *8,900  | *8,900  | *8,900  |
| 20 ft<br>9'10" MH – 2 sets stabilizers – lowered |         |         |         | *20,400 | *20,400 | *20,400 | *17,900 | *17,900 | *17,900 | *15,200 | *15,200 | *15,200 | *13,000 | *13,000 | 11,900  |         |         |        | *8,900  | *8,900  | *8,900  |
| 15 ft<br>Free on Wheels                          |         |         |         | 21,600  | 21,700  | 16,100  | 13,600  | 13,600  | 10,300  | 9,500   | 9,600   | 7,200   | 7,100   | 7,100   | 5,300   |         |         |        | 5,400   | 5,500   | 4,000   |
| 15 ft<br>9'0" MH – 2 sets stabilizers – lowered  |         |         |         | *23,700 | *23,700 | *23,700 | *18,800 | *18,800 | *18,800 | *15,500 | *15,500 | 14,600  | *13,000 | *13,000 | 10,800  |         |         |        | *9,000  | *9,000  | 8,400   |
| 15 ft<br>9'10" MH – 2 sets stabilizers – lowered |         |         |         | *23,700 | *23,700 | *23,700 | *18,800 | *18,800 | *18,800 | *15,500 | *15,500 | *15,500 | *13,000 | *13,000 | 11,700  |         |         |        | *9,000  | *9,000  | *9,000  |
| 10 ft<br>Free on Wheels                          | *39,300 | *39,300 | 27,500  | 20,000  | 20,100  | 14,700  | 12,800  | 12,800  | 9,500   | 9,100   | 9,100   | 6,800   | 6,800   | 6,900   | 5,100   | 5,300   | 3,900   | 5,100  | 5,100   | 3,700   |         |
| 10 ft<br>9'0" MH – 2 sets stabilizers – lowered  | *39,300 | *39,300 | *39,300 | *26,100 | *26,100 | *26,100 | *19,700 | *19,700 | *19,700 | *15,800 | *15,800 | 14,100  | *12,900 | *12,900 | 10,600  | *10,200 | *10,200 | 8,300  | *9,200  | *9,200  | 8,000   |
| 10 ft<br>9'10" MH – 2 sets stabilizers – lowered | *39,300 | *39,300 | *39,300 | *26,100 | *26,100 | *26,100 | *19,700 | *19,700 | *19,700 | *15,800 | *15,800 | 15,300  | *12,900 | *12,900 | 11,500  | *10,200 | *10,200 | 9,000  | *9,200  | *9,200  | 8,700   |
| 5 ft<br>Free on Wheels                           | *13,300 | *13,300 | *13,300 | 18,200  | 18,300  | 13,100  | 12,000  | 12,000  | 8,800   | 8,700   | 8,700   | 6,400   | 6,600   | 6,600   | 4,800   | 5,200   | 5,200   | 3,800  | 5,000   | 5,000   | 3,600   |
| 5 ft<br>9'0" MH – 2 sets stabilizers – lowered   | *13,300 | *13,300 | *13,300 | *27,500 | *27,500 | *27,500 | *20,100 | *20,100 | 19,200  | *15,700 | *15,700 | 13,600  | *12,500 | *12,500 | 10,300  | *9,500  | *9,500  | 8,200  | *8,700  | *8,700  | 7,800   |
| 5 ft<br>9'10" MH – 2 sets stabilizers – lowered  | *13,300 | *13,300 | *13,300 | *27,500 | *27,500 | *27,500 | *20,100 | *20,100 | *20,100 | *15,700 | *15,700 | 14,800  | *12,500 | *12,500 | 11,200  | *9,500  | *9,500  | 8,900  | *8,700  | *8,700  | 8,500   |
| 0 ft<br>Free on Wheels                           | *8,700  | *8,700  | *8,700  | 17,000  | 17,100  | 12,000  | 11,300  | 11,400  | 8,100   | 8,300   | 8,300   | 6,000   | 6,400   | 6,400   | 4,600   | 5,100   | 5,100   | 3,700  |         |         |         |
| 0 ft<br>9'0" MH – 2 sets stabilizers – lowered   | *8,700  | *8,700  | *8,700  | *26,000 | *26,000 | *26,000 | *19,200 | *19,200 | 18,500  | *14,800 | *14,800 | 13,200  | *11,400 | *11,400 | 10,100  | *8,000  | *8,000  | *8,000 |         |         |         |
| 0 ft<br>9'10" MH – 2 sets stabilizers – lowered  | *8,700  | *8,700  | *8,700  | *26,000 | *26,000 | *26,000 | *19,200 | *19,200 | *19,200 | *14,800 | *14,800 | 14,400  | *11,400 | *11,400 | 11,000  | *8,000  | *8,000  | *8,000 |         |         |         |
| -5 ft<br>Free on Wheels                          |         |         |         | 16,400  | 16,500  | 11,400  | 10,900  | 11,000  | 7,800   | 8,000   | 8,100   | 5,800   |         |         |         |         |         |        |         |         |         |
| -5 ft<br>9'0" MH – 2 sets stabilizers – lowered  |         |         |         | *21,500 | *21,500 | *21,500 | *16,600 | *16,600 | *16,600 | *12,700 | *12,700 | *12,700 |         |         |         |         |         |        |         |         |         |
| -5 ft<br>9'10" MH – 2 sets stabilizers – lowered |         |         |         | *21,500 | *21,500 | *21,500 | *16,600 | *16,600 | *16,600 | *12,700 | *12,700 | *12,700 |         |         |         |         |         |        |         |         |         |

\*Limited by hydraulic rather than tipping load.

Lift capacity ratings are based on ISO 10567:2007, they do not exceed 87% of hydraulic lifting capacity or 75% of tipping load. The load point is the center line of the bucket pivot mounting pin on the stick. The oscillating axle must be locked. Lifting capacities are based on the machine standing on a firm uniform supporting surface. For lifting capacity including bucket and/or quick coupler, the respective weight has to be subtracted from above values. The use of a work tool attachment point to handle/lift objects, could affect the machine lift performance.

Always refer to the appropriate Operation and Maintenance Manual for specific product information.

# MH3024 Material Handler Specifications

## Lift Capacities

All values are in kg, work tool: none, hydraulic cab rise, solid tires, with counterweight (4200 kg), heavy lift on.



### Undercarriage

2.75 m or 2.99 m (MH)

### Boom

6.4 m (MH)

### Stick

5.0 m (Drop Nose)

| Stick<br>mm | Undercarriage configuration              | 3000 mm        |  |  | 4500 mm        |  |  | 6000 mm        |  |  | 7500 mm        |  |  | 9000 mm        |  |  | 10 500 mm      |  |  | mm             |  |  |
|-------------|--|----------------|--|--|----------------|--|--|----------------|--|--|----------------|--|--|----------------|--|--|----------------|--|--|----------------|--|--|
|             |  | Free on Wheels | 2.75 m MH – 2 sets stabilizers – lowered | 2.99 m MH – 2 sets stabilizers – lowered | Free on Wheels | 2.75 m MH – 2 sets stabilizers – lowered | 2.99 m MH – 2 sets stabilizers – lowered | Free on Wheels | 2.75 m MH – 2 sets stabilizers – lowered | 2.99 m MH – 2 sets stabilizers – lowered | Free on Wheels | 2.75 m MH – 2 sets stabilizers – lowered | 2.99 m MH – 2 sets stabilizers – lowered | Free on Wheels | 2.75 m MH – 2 sets stabilizers – lowered | 2.99 m MH – 2 sets stabilizers – lowered | Free on Wheels | 2.75 m MH – 2 sets stabilizers – lowered | 2.99 m MH – 2 sets stabilizers – lowered | Free on Wheels | 2.75 m MH – 2 sets stabilizers – lowered | 2.99 m MH – 2 sets stabilizers – lowered |
| 12 000 mm   | Free on Wheels                           | *7650          | *7650                                    | *7650                                    |                |  |  |                |  |  |                |  |  |                |  |  |                |  |  | *6500          | *6500                                    | *6500                                    |
|             | 2.75 m MH – 2 sets stabilizers – lowered | *7650          | *7650                                    | *7650                                    |                |  |  |                |  |  |                |  |  |                |  |  |                |  |  | *6500          | *6500                                    | *6500                                    |
|             | 2.99 m MH – 2 sets stabilizers – lowered | *7650          | *7650                                    | *7650                                    |                |  |  |                |  |  |                |  |  |                |  |  |                |  |  | *6500          | *6500                                    | *6500                                    |
| 10 500 mm   | Free on Wheels                           |                |  |  | *7500          | *7500                                    | *7500                                    | *5950          | *5950                                    | 4750                                     |                |  |  |                |  |  |                |  |  | *4900          | *4900                                    | 4000                                     |
|             | 2.75 m MH – 2 sets stabilizers – lowered |                |  |  | *7500          | *7500                                    | *7500                                    | *5950          | *5950                                    | *5950                                    |                |  |  |                |  |  |                |  |  | *4900          | *4900                                    | *4900                                    |
|             | 2.99 m MH – 2 sets stabilizers – lowered |                |  |  | *7500          | *7500                                    | *7500                                    | *5950          | *5950                                    | *5950                                    |                |  |  |                |  |  |                |  |  | *4900          | *4900                                    | *4900                                    |
| 9000 mm     | Free on Wheels                           |                |  |  |                |  |  | 6400           | 6450                                     | 4900                                     | 4400           | 4400                                     | 3350                                     |                |  |  |                |  |  | 3700           | 3700                                     | 2750                                     |
|             | 2.75 m MH – 2 sets stabilizers – lowered |                |  |  |                |  |  | *7350          | *7350                                    | *7350                                    | *5800          | *5800                                    | *5800                                    |                |  |  |                |  |  | *4400          | *4400                                    | *4400                                    |
|             | 2.99 m MH – 2 sets stabilizers – lowered |                |  |  |                |  |  | *7350          | *7350                                    | *7350                                    | *5800          | *5800                                    | *5800                                    |                |  |  |                |  |  | *4400          | *4400                                    | *4400                                    |
| 7500 mm     | Free on Wheels                           |                |  |  |                |  |  | 6400           | 6400                                     | 4900                                     | 4400           | 4450                                     | 3350                                     | 3200           | 3200                                     | 2400                                     |                |  |  | 2950           | 2950                                     | 2200                                     |
|             | 2.75 m MH – 2 sets stabilizers – lowered |                |  |  |                |  |  | *8000          | *8000                                    | *8000                                    | *6900          | *6900                                    | 6700                                     | *5050          | *5050                                    | 4900                                     |                |  |  | *4150          | *4150                                    | *4150                                    |
|             | 2.99 m MH – 2 sets stabilizers – lowered |                |  |  |                |  |  | *8000          | *8000                                    | *8000                                    | *6900          | *6900                                    | *6900                                    | *5050          | *5050                                    | *5050                                    |                |  |  | *4150          | *4150                                    | *4150                                    |
| 6000 mm     | Free on Wheels                           |                |  |  | *9300          | *9300                                    | 7550                                     | 6250           | 6300                                     | 4750                                     | 4350           | 4350                                     | 3300                                     | 3200           | 3200                                     | 2350                                     |                |  |  | 2550           | 2550                                     | 1850                                     |
|             | 2.75 m MH – 2 sets stabilizers – lowered |                |  |  | *9300          | *9300                                    | *9300                                    | *8250          | *8250                                    | *8250                                    | *6950          | *6950                                    | 6650                                     | *5950          | *5950                                    | 4900                                     |                |  |  | *4050          | *4050                                    | 3950                                     |
|             | 2.99 m MH – 2 sets stabilizers – lowered |                |  |  | *9300          | *9300                                    | *9300                                    | *8250          | *8250                                    | *8250                                    | *6950          | *6950                                    | *6950                                    | *5950          | *5950                                    | 5300                                     |                |  |  | *4050          | *4050                                    | *4050                                    |
| 4500 mm     | Free on Wheels                           |                |  |  | 9600           | 9600                                     | 7100                                     | 6000           | 6000                                     | 4500                                     | 4200           | 4200                                     | 3150                                     | 3100           | 3100                                     | 2300                                     | 2400           | 2400                                     | 1700                                     | 2300           | 2300                                     | 1650                                     |
|             | 2.75 m MH – 2 sets stabilizers – lowered |                |  |  | *10 950        | *10 950                                  | *10 950                                  | *8650          | *8650                                    | *8650                                    | *7150          | *7150                                    | 6500                                     | *6000          | *6000                                    | 4800                                     | *4600          | *4600                                    | 3750                                     | *4100          | *4100                                    | 3650                                     |
|             | 2.99 m MH – 2 sets stabilizers – lowered |                |  |  | *10 950        | *10 950                                  | *10 950                                  | *8650          | *8650                                    | *8650                                    | *7150          | *7150                                    | 7050                                     | *6000          | *6000                                    | 5200                                     | *4600          | *4600                                    | 4050                                     | *4100          | *4100                                    | 3950                                     |
| 3000 mm     | Free on Wheels                           | 17 850         | 17 900                                   | 12 100                                   | 8850           | 8850                                     | 6450                                     | 5650           | 5650                                     | 4150                                     | 4000           | 4000                                     | 2950                                     | 3000           | 3000                                     | 2200                                     | 2350           | 2350                                     | 1650                                     | 2150           | 2200                                     | 1550                                     |
|             | 2.75 m MH – 2 sets stabilizers – lowered | *18 200        | *18 200                                  | *18 200                                  | *12 100        | *12 100                                  | *12 100                                  | *9100          | *9100                                    | 9000                                     | *7250          | *7250                                    | 6250                                     | *5950          | *5950                                    | 4700                                     | 4650           | 4700                                     | 3700                                     | *4200          | *4200                                    | 3450                                     |
|             | 2.99 m MH – 2 sets stabilizers – lowered | *18 200        | *18 200                                  | *18 200                                  | *12 100        | *12 100                                  | *12 100                                  | *9100          | *9100                                    | *9100                                    | *7250          | *7250                                    | 6800                                     | *5950          | *5950                                    | 5100                                     | 4700           | 4700                                     | 4000                                     | *4200          | *4200                                    | 3750                                     |
| 1500 mm     | Free on Wheels                           | *5550          | *5550                                    | *5550                                    | 8050           | 8050                                     | 5700                                     | 5250           | 5300                                     | 3800                                     | 3800           | 3800                                     | 2750                                     | 2900           | 2900                                     | 2100                                     | 2250           | 2300                                     | 1600                                     | 2100           | 2100                                     | 1500                                     |
|             | 2.75 m MH – 2 sets stabilizers – lowered | *5550          | *5550                                    | *5550                                    | *12 650        | *12 650                                  | *12 650                                  | *9300          | *9300                                    | 8550                                     | *7250          | *7250                                    | 6050                                     | *5750          | *5750                                    | 4550                                     | *4450          | *4450                                    | 3600                                     | *3900          | *3900                                    | 3350                                     |
|             | 2.99 m MH – 2 sets stabilizers – lowered | *5550          | *5550                                    | *5550                                    | *12 650        | *12 650                                  | *12 650                                  | *9300          | *9300                                    | *9300                                    | *7250          | *7250                                    | 6600                                     | *5750          | *5750                                    | 5000                                     | *4450          | *4450                                    | 3950                                     | *3900          | *3900                                    | 3650                                     |
| 0 mm        | Free on Wheels                           | *3850          | *3850                                    | *3850                                    | 7450           | 7500                                     | 5200                                     | 4950           | 4950                                     | 3500                                     | 3600           | 3650                                     | 2600                                     | 2800           | 2800                                     | 2000                                     | 2200           | 2250                                     | 1550                                     |                |  |  |
|             | 2.75 m MH – 2 sets stabilizers – lowered | *3850          | *3850                                    | *3850                                    | *12 000        | *12 000                                  | *12 000                                  | *8850          | *8850                                    | 8200                                     | *6850          | *6850                                    | 5850                                     | *5300          | *5300                                    | 4450                                     | *3850          | *3850                                    | 3550                                     |                |  |  |
|             | 2.99 m MH – 2 sets stabilizers – lowered | *3850          | *3850                                    | *3850                                    | *12 000        | *12 000                                  | *12 000                                  | *8850          | *8850                                    | *8850                                    | *6850          | *6850                                    | 6400                                     | *5300          | *5300                                    | 4850                                     | *3850          | *3850                                    | *3850                                    |                |  |  |
| -1500 mm    | Free on Wheels                           |                |  |  | 7200           | 7250                                     | 4950                                     | 4750           | 4800                                     | 3350                                     | 3500           | 3500                                     | 2500                                     | 2700           | 2750                                     | 1900                                     |                |  |  |                |  |  |
|             | 2.75 m MH – 2 sets stabilizers – lowered |                |  |  | *9750          | *9750                                    | *9750                                    | *7700          | *7700                                    | *7700                                    | *5900          | *5900                                    | 5700                                     | *4400          | *4400                                    | 4400                                     |                |  |  |                |  |  |
|             | 2.99 m MH – 2 sets stabilizers – lowered |                |  |  | *9750          | *9750                                    | *9750                                    | *7700          | *7700                                    | *7700                                    | *5900          | *5900                                    | *5900                                    | *4400          | *4400                                    | *4400                                    |                |  |  |                |  |  |

\*Limited by hydraulic rather than tipping load.

Lift capacity ratings are based on ISO 10567:2007, they do not exceed 87% of hydraulic lifting capacity or 75% of tipping load. The load point is the center line of the bucket pivot mounting pin on the stick. The oscillating axle must be locked. Lifting capacities are based on the machine standing on a firm uniform supporting surface. For lifting capacity including bucket and/or quick coupler, the respective weight has to be subtracted from above values. The use of a work tool attachment point to handle/lift objects, could affect the machine lift performance.

Always refer to the appropriate Operation and Maintenance Manual for specific product information.

# MH3024 Material Handler Specifications

## Lift Capacities

All values are in lb, work tool: none, hydraulic cab rise, solid tires, with counterweight (9,260 lb), heavy lift on.



### Undercarriage 9'0" or 9'10" (MH)

### Boom 21'0" (MH)

### Stick 16'5" (Drop Nose)

| Undercarriage configuration             | 10 ft           |                |                | 15 ft           |                |                | 20 ft           |                |                | 25 ft           |                |                | 30 ft           |                |                | 35 ft           |                |                | ft              |                |                |
|---|-----------------|----------------|----------------|-----------------|----------------|----------------|-----------------|----------------|----------------|-----------------|----------------|----------------|-----------------|----------------|----------------|-----------------|----------------|----------------|-----------------|----------------|----------------|
|   | Load over front | Load over rear | Load over side | Load over front | Load over rear | Load over side | Load over front | Load over rear | Load over side | Load over front | Load over rear | Load over side | Load over front | Load over rear | Load over side | Load over front | Load over rear | Load over side | Load over front | Load over rear | Load over side |
| Free on Wheels                          | *16,100         | *16,100        | *16,100        |                 |                |                |                 |                |                |                 |                |                |                 |                |                |                 |                |                | *15,500         | *15,500        | *15,500        |
| 9'0" MH – 2 sets stabilizers – lowered  | *16,100         | *16,100        | *16,100        |                 |                |                |                 |                |                |                 |                |                |                 |                |                |                 |                |                | *15,500         | *15,500        | *15,500        |
| 9'10" MH – 2 sets stabilizers – lowered | *16,100         | *16,100        | *16,100        |                 |                |                |                 |                |                |                 |                |                |                 |                |                |                 |                |                | *15,500         | *15,500        | *15,500        |
| Free on Wheels                          |                 |                |                | *16,100         | *16,100        | *16,100        | *12,200         | *12,200        | 10,100         |                 |                |                |                 |                |                |                 |                |                | *11,000         | *11,000        | 9,300          |
| 9'0" MH – 2 sets stabilizers – lowered  |                 |                |                | *16,100         | *16,100        | *16,100        | *12,200         | *12,200        | *12,200        |                 |                |                |                 |                |                |                 |                |                | *11,000         | *11,000        | *11,000        |
| 9'10" MH – 2 sets stabilizers – lowered |                 |                |                | *16,100         | *16,100        | *16,100        | *12,200         | *12,200        | *12,200        |                 |                |                |                 |                |                |                 |                |                | *11,000         | *11,000        | *11,000        |
| Free on Wheels                          |                 |                |                |                 |                |                | 13,700          | 13,800         | 10,500         | 9,400           | 9,400          | 7,100          |                 |                |                |                 |                |                | 8,300           | 8,400          | 6,300          |
| 9'0" MH – 2 sets stabilizers – lowered  |                 |                |                |                 |                |                | *15,800         | *15,800        | *15,800        | *12,000         | *12,000        | *12,000        |                 |                |                |                 |                |                | *9,700          | *9,700         | *9,700         |
| 9'10" MH – 2 sets stabilizers – lowered |                 |                |                |                 |                |                | *15,800         | *15,800        | *15,800        | *12,000         | *12,000        | *12,000        |                 |                |                |                 |                |                | *9,700          | *9,700         | *9,700         |
| Free on Wheels                          |                 |                |                |                 |                |                | 13,800          | 13,800         | 10,500         | 9,500           | 9,500          | 7,200          | 6,900           | 6,900          | 5,100          |                 |                |                | 6,600           | 6,600          | 4,900          |
| 9'0" MH – 2 sets stabilizers – lowered  |                 |                |                |                 |                |                | *17,500         | *17,500        | *17,500        | *15,000         | *15,000        | 14,400         | *10,100         | *10,100        | *10,100        |                 |                |                | *9,200          | *9,200         | *9,200         |
| 9'10" MH – 2 sets stabilizers – lowered |                 |                |                |                 |                |                | *17,500         | *17,500        | *17,500        | *15,000         | *15,000        | *15,000        | *10,100         | *10,100        | *10,100        |                 |                |                | *9,200          | *9,200         | *9,200         |
| Free on Wheels                          |                 |                |                | *20,400         | *20,400        | 16,300         | 13,500          | 13,500         | 10,200         | 9,300           | 9,400          | 7,000          | 6,800           | 6,900          | 5,100          |                 |                |                | 5,700           | 5,700          | 4,100          |
| 9'0" MH – 2 sets stabilizers – lowered  |                 |                |                | *20,400         | *20,400        | *20,400        | *17,900         | *17,900        | *17,900        | *15,200         | *15,200        | 14,300         | *13,000         | *13,000        | 10,500         |                 |                |                | *8,900          | *8,900         | 8,800          |
| 9'10" MH – 2 sets stabilizers – lowered |                 |                |                | *20,400         | *20,400        | *20,400        | *17,900         | *17,900        | *17,900        | *15,200         | *15,200        | *15,200        | *13,000         | *13,000        | 11,400         |                 |                |                | *8,900          | *8,900         | *8,900         |
| Free on Wheels                          |                 |                |                | 20,600          | 20,700         | 15,300         | 12,900          | 13,000         | 9,700          | 9,000           | 9,100          | 6,800          | 6,700           | 6,700          | 4,900          |                 |                |                | 5,100           | 5,100          | 3,700          |
| 9'0" MH – 2 sets stabilizers – lowered  |                 |                |                | *23,700         | *23,700        | *23,700        | *18,800         | *18,800        | *18,800        | *15,500         | *15,500        | 13,900         | *13,000         | *13,000        | 10,400         |                 |                |                | *9,000          | *9,000         | 8,000          |
| 9'10" MH – 2 sets stabilizers – lowered |                 |                |                | *23,700         | *23,700        | *23,700        | *18,800         | *18,800        | *18,800        | *15,500         | *15,500        | 15,100         | *13,000         | *13,000        | 11,200         |                 |                |                | *9,000          | *9,000         | 8,700          |
| Free on Wheels                          | 38,300          | 38,500         | 26,200         | 19,000          | 19,100         | 13,900         | 12,100          | 12,200         | 9,000          | 8,600           | 8,700          | 6,400          | 6,500           | 6,500          | 4,700          | 5,000           | 5,000          | 3,600          | 4,800           | 4,800          | 3,400          |
| 9'0" MH – 2 sets stabilizers – lowered  | *39,300         | *39,300        | *39,300        | *26,100         | *26,100        | *26,100        | *19,700         | *19,700        | 19,300         | *15,800         | *15,800        | 13,500         | 12,800          | 12,900         | 10,100         | 10,000          | 10,100         | 7,900          | *9,200          | *9,200         | 7,600          |
| 9'10" MH – 2 sets stabilizers – lowered | *39,300         | *39,300        | *39,300        | *26,100         | *26,100        | *26,100        | *19,700         | *19,700        | *19,700        | *15,800         | *15,800        | 14,700         | 12,900          | *12,900        | 11,000         | 10,100          | 10,100         | 8,600          | *9,200          | *9,200         | 8,300          |
| Free on Wheels                          | *13,300         | *13,300        | *13,300        | 17,300          | 17,400         | 12,300         | 11,300          | 11,400         | 8,200          | 8,200           | 8,200          | 5,900          | 6,200           | 6,200          | 4,500          | 4,900           | 4,900          | 3,500          | 4,600           | 4,700          | 3,300          |
| 9'0" MH – 2 sets stabilizers – lowered  | *13,300         | *13,300        | *13,300        | *27,500         | *27,500        | *27,500        | *20,100         | *20,100        | 18,400         | *15,700         | *15,700        | 13,000         | *12,500         | *12,500        | 9,800          | *9,500          | *9,500         | 7,800          | *8,700          | *8,700         | 7,400          |
| 9'10" MH – 2 sets stabilizers – lowered | *13,300         | *13,300        | *13,300        | *27,500         | *27,500        | *27,500        | *20,100         | *20,100        | *20,100        | *15,700         | *15,700        | 14,200         | *12,500         | *12,500        | 10,700         | *9,500          | *9,500         | 8,500          | *8,700          | *8,700         | 8,100          |
| Free on Wheels                          | *8,700          | *8,700         | *8,700         | 16,100          | 16,100         | 11,200         | 10,700          | 10,700         | 7,600          | 7,800           | 7,800          | 5,600          | 6,000           | 6,000          | 4,300          | 4,800           | 4,800          | 3,400          |                 |                |                |
| 9'0" MH – 2 sets stabilizers – lowered  | *8,700          | *8,700         | *8,700         | *26,000         | *26,000        | *26,000        | *19,200         | *19,200        | 17,600         | *14,800         | *14,800        | 12,600         | *11,400         | *11,400        | 9,600          | *8,000          | *8,000         | 7,700          |                 |                |                |
| 9'10" MH – 2 sets stabilizers – lowered | *8,700          | *8,700         | *8,700         | *26,000         | *26,000        | *26,000        | *19,200         | *19,200        | *19,200        | *14,800         | *14,800        | 13,700         | *11,400         | *11,400        | 10,500         | *8,000          | *8,000         | *8,000         |                 |                |                |
| Free on Wheels                          |                 |                |                | 15,500          | 15,600         | 10,600         | 10,300          | 10,300         | 7,200          | 7,500           | 7,600          | 5,300          |                 |                |                |                 |                |                |                 |                |                |
| 9'0" MH – 2 sets stabilizers – lowered  |                 |                |                | *21,500         | *21,500        | *21,500        | *16,600         | *16,600        | *16,600        | *12,700         | *12,700        | 12,300         |                 |                |                |                 |                |                |                 |                |                |
| 9'10" MH – 2 sets stabilizers – lowered |                 |                |                | *21,500         | *21,500        | *21,500        | *16,600         | *16,600        | *16,600        | *12,700         | *12,700        | *12,700        |                 |                |                |                 |                |                |                 |                |                |

\*Limited by hydraulic rather than tipping load.

Lift capacity ratings are based on ISO 10567:2007, they do not exceed 87% of hydraulic lifting capacity or 75% of tipping load. The load point is the center line of the bucket pivot mounting pin on the stick. The oscillating axle must be locked. Lifting capacities are based on the machine standing on a firm uniform supporting surface. For lifting capacity including bucket and/or quick coupler, the respective weight has to be subtracted from above values. The use of a work tool attachment point to handle/lift objects, could affect the machine lift performance.

Always refer to the appropriate Operation and Maintenance Manual for specific product information.



# MH3024 Material Handler Specifications

## Lift Capacities

All values are in kg, work tool: none, hydraulic cab rise, solid tires, with counterweight (4700 kg), heavy lift on.



### Undercarriage

2.75 m or 2.99 m (MH)

### Boom

7.45 m (MH)

### Stick

4.3 m (Straight)

| Stick height | Undercarriage configuration              | 3000 mm        |  |  | 4500 mm        |  |  | 6000 mm        |  |  | 7500 mm        |  |  | 9000 mm        |  |  | 10 500 mm      |  |  | Load at maximum reach (stick nose/bucket pin) |  |  | mm    |       |       |
|--------------|--|----------------|--|--|----------------|--|--|----------------|--|--|----------------|--|--|----------------|--|--|----------------|--|--|---|--|--|-------|-------|-------|
|              |  | Free on Wheels | 2.75 m MH - 2 sets stabilizers - lowered | 2.99 m MH - 2 sets stabilizers - lowered | Free on Wheels | 2.75 m MH - 2 sets stabilizers - lowered | 2.99 m MH - 2 sets stabilizers - lowered | Free on Wheels | 2.75 m MH - 2 sets stabilizers - lowered | 2.99 m MH - 2 sets stabilizers - lowered | Free on Wheels | 2.75 m MH - 2 sets stabilizers - lowered | 2.99 m MH - 2 sets stabilizers - lowered | Free on Wheels | 2.75 m MH - 2 sets stabilizers - lowered | 2.99 m MH - 2 sets stabilizers - lowered | Free on Wheels | 2.75 m MH - 2 sets stabilizers - lowered | 2.99 m MH - 2 sets stabilizers - lowered | Free on Wheels                                | 2.75 m MH - 2 sets stabilizers - lowered | 2.99 m MH - 2 sets stabilizers - lowered |       |       |       |
| 12 000 mm    | Free on Wheels                           |                |  |  | *6500          | *6500                                    | *6500                                    |                |  |  |                |  |  |                |  |  |                |  |  |   |  |  | *6300 | *6300 | *6300 |
|              | 2.75 m MH - 2 sets stabilizers - lowered |                |  |  | *6500          | *6500                                    | *6500                                    |                |  |  |                |  |  |                |  |  |                |  |  |   |  |  | *6300 | *6300 | *6300 |
|              | 2.99 m MH - 2 sets stabilizers - lowered |                |  |  | *6500          | *6500                                    | *6500                                    |                |  |  |                |  |  |                |  |  |                |  |  |   |  |  | *6300 | *6300 | *6300 |
| 10 500 mm    | Free on Wheels                           |                |  |  |                |  |  | 6300           | 6300                                     | 4700                                     |                |  |  |                |  |  |                |  |  |   |  |  | *4600 | *4650 | *3450 |
|              | 2.75 m MH - 2 sets stabilizers - lowered |                |  |  |                |  |  | *7000          | *7000                                    | *7000                                    |                |  |  |                |  |  |                |  |  |   |  |  | *5150 | *5150 | *5150 |
|              | 2.99 m MH - 2 sets stabilizers - lowered |                |  |  |                |  |  | *7000          | *7000                                    | *7000                                    |                |  |  |                |  |  |                |  |  |   |  |  | *5150 | *5150 | *5150 |
| 9000 mm      | Free on Wheels                           |                |  |  |                |  |  | 6350           | 6350                                     | 4800                                     | 4300           | 4300                                     | 3200                                     |                |  |  |                |  |  |   |  |  | *3250 | *3300 | *2400 |
|              | 2.75 m MH - 2 sets stabilizers - lowered |                |  |  |                |  |  | *8050          | *8050                                    | *8050                                    | *6700          | *6700                                    | 6650                                     |                |  |  |                |  |  |   |  |  | *4750 | *4750 | *4750 |
|              | 2.99 m MH - 2 sets stabilizers - lowered |                |  |  |                |  |  | *8050          | *8050                                    | *8050                                    | *6700          | *6700                                    | *6700                                    |                |  |  |                |  |  |   |  |  | *4750 | *4750 | *4750 |
| 7500 mm      | Free on Wheels                           |                |  |  |                |  |  | 6250           | 6250                                     | 4700                                     | 4250           | 4250                                     | 3150                                     | 3050           | 3050                                     | 2200                                     |                |  |  |   |  |  | *2600 | *2600 | *1850 |
|              | 2.75 m MH - 2 sets stabilizers - lowered |                |  |  |                |  |  | *8150          | *8150                                    | *8150                                    | *6700          | *6700                                    | 6600                                     | *5600          | *5600                                    | 4800                                     |                |  |  |   |  |  | *4600 | *4600 | *4150 |
|              | 2.99 m MH - 2 sets stabilizers - lowered |                |  |  |                |  |  | *8150          | *8150                                    | *8150                                    | *6700          | *6700                                    | *6700                                    | *5600          | *5600                                    | 5250                                     |                |  |  |   |  |  | *4600 | *4600 | *4550 |
| 6000 mm      | Free on Wheels                           |                |  |  | 9650           | 9700                                     | 7100                                     | 6000           | 6000                                     | 4450                                     | 4100           | 4150                                     | 3050                                     | 3000           | 3000                                     | 2150                                     |                |  |  |   |  |  | *2200 | *2250 | *1550 |
|              | 2.75 m MH - 2 sets stabilizers - lowered |                |  |  | *10 950        | *10 950                                  | *10 950                                  | *8400          | *8400                                    | *8400                                    | *6800          | *6800                                    | 6450                                     | *5600          | *5600                                    | 4750                                     |                |  |  |   |  |  | *4550 | *4550 | *3600 |
|              | 2.99 m MH - 2 sets stabilizers - lowered |                |  |  | *10 950        | *10 950                                  | *10 950                                  | *8400          | *8400                                    | *8400                                    | *6800          | *6800                                    | *6800                                    | *5600          | *5600                                    | 5150                                     |                |  |  |   |  |  | *4550 | *4550 | *3950 |
| 4500 mm      | Free on Wheels                           | 17 950         | 18 050                                   | 12 100                                   | 8850           | 8900                                     | 6400                                     | 5600           | 5650                                     | 4100                                     | 3900           | 3950                                     | 2850                                     | 2900           | 2900                                     | 2050                                     | 2150           | 2200                                     | 1500                                     | 2000  | 2000                                     | 1350                                     | *2000 | *2000 | *1350 |
|              | 2.75 m MH - 2 sets stabilizers - lowered | *18 150        | *18 150                                  | *18 150                                  | *11 750        | *11 750                                  | *11 750                                  | *8700          | *8700                                    | *8700                                    | *6900          | *6900                                    | 6250                                     | *5600          | *5600                                    | 4650                                     | *4500          | *4500                                    | 3550                                     | *4150   | *4150                                    | 3300                                     | *4150 | *4150 | 3300  |
|              | 2.99 m MH - 2 sets stabilizers - lowered | *18 150        | *18 150                                  | *18 150                                  | *11 750        | *11 750                                  | *11 750                                  | *8700          | *8700                                    | *8700                                    | *6900          | *6900                                    | 6800                                     | *5600          | *5600                                    | 5050                                     | *4500          | *4500                                    | 3900                                     | *4150   | *4150                                    | 3600                                     | *4150 | *4150 | 3600  |
| 3000 mm      | Free on Wheels                           |                |  |  | 7900           | 7950                                     | 5500                                     | 5150           | 5200                                     | 3700                                     | 3700           | 3700                                     | 2600                                     | 2750           | 2750                                     | 1900                                     | 2100           | 2100                                     | 1450                                     | 1850  | 1850                                     | 1250                                     | *1850 | *1850 | *1250 |
|              | 2.75 m MH - 2 sets stabilizers - lowered |                |  |  | *12 100        | *12 100                                  | *12 100                                  | *8800          | *8800                                    | 8550                                     | *6850          | *6850                                    | 6000                                     | *5450          | *5450                                    | 4500                                     | *4300          | *4300                                    | 3500                                     | *3700   | *3700                                    | 3100                                     | *3700 | *3700 | 3100  |
|              | 2.99 m MH - 2 sets stabilizers - lowered |                |  |  | *12 100        | *12 100                                  | *12 100                                  | *8800          | *8800                                    | *8800                                    | *6850          | *6850                                    | 6550                                     | *5450          | *5450                                    | 4900                                     | *4300          | *4300                                    | 3800                                     | *3700   | *3700                                    | 3400                                     | *3700 | *3700 | 3400  |
| 1500 mm      | Free on Wheels                           |                |  |  | *5350          | *5350                                    | 4850                                     | 4800           | 4800                                     | 3300                                     | 3450           | 3500                                     | 2400                                     | 2600           | 2650                                     | 1800                                     | 2050           | 2050                                     | 1350                                     | 1800  | 1800                                     | 1200                                     | *1800 | *1800 | *1200 |
|              | 2.75 m MH - 2 sets stabilizers - lowered |                |  |  | *5350          | *5350                                    | *5350                                    | *8400          | *8400                                    | 8100                                     | *6500          | *6500                                    | 5750                                     | *5150          | *5150                                    | 4350                                     | *3950          | *3950                                    | 3400                                     | *3200   | *3200                                    | 3050                                     | *3200 | *3200 | 3050  |
|              | 2.99 m MH - 2 sets stabilizers - lowered |                |  |  | *5350          | *5350                                    | *5350                                    | *8400          | *8400                                    | *8400                                    | *6500          | *6500                                    | 6300                                     | *5150          | *5150                                    | 4750                                     | *3950          | *3950                                    | 3750                                     | *3200   | *3200                                    | *3200                                    | *3200 | *3200 | *3200 |
| 0 mm         | Free on Wheels                           |                |  |  | *4650          | *4650                                    | 4600                                     | 4550           | 4550                                     | 3100                                     | 3300           | 3300                                     | 2250                                     | 2500           | 2550                                     | 1700                                     | 2000           | 2000                                     | 1300                                     | 1800  | 1800                                     | 1200                                     | *1800 | *1800 | *1200 |
|              | 2.75 m MH - 2 sets stabilizers - lowered |                |  |  | *4650          | *4650                                    | *4650                                    | *7300          | *7300                                    | *7300                                    | *5800          | *5800                                    | 5550                                     | *4500          | *4500                                    | 4250                                     | *3300          | *3300                                    | *3300                                    | *2650   | *2650                                    | *2650                                    | *2650 | *2650 | *2650 |
|              | 2.99 m MH - 2 sets stabilizers - lowered |                |  |  | *4650          | *4650                                    | *4650                                    | *7300          | *7300                                    | *7300                                    | *5800          | *5800                                    | *5800                                    | *4500          | *4500                                    | *4500                                    | *3300          | *3300                                    | *3300                                    | *2650   | *2650                                    | *2650                                    | *2650 | *2650 | *2650 |
| -1500 mm     | Free on Wheels                           |                |  |  |                |  |  | 4450           | 4450                                     | 3000                                     | 3200           | 3250                                     | 2150                                     | 2450           | 2500                                     | 1650                                     |                |  |  |   |  |  |       |       |       |
|              | 2.75 m MH - 2 sets stabilizers - lowered |                |  |  |                |  |  | *5600          | *5600                                    | *5600                                    | *4650          | *4650                                    | *4650                                    | *3550          | *3550                                    | *3550                                    |                |  |  |   |  |  |       |       |       |
|              | 2.99 m MH - 2 sets stabilizers - lowered |                |  |  |                |  |  | *5600          | *5600                                    | *5600                                    | *4650          | *4650                                    | *4650                                    | *3550          | *3550                                    | *3550                                    |                |  |  |   |  |  |       |       |       |

\*Limited by hydraulic rather than tipping load.

Lift capacity ratings are based on ISO 10567:2007, they do not exceed 87% of hydraulic lifting capacity or 75% of tipping load. The load point is the center line of the bucket pivot mounting pin on the stick. The oscillating axle must be locked. Lifting capacities are based on the machine standing on a firm uniform supporting surface. For lifting capacity including bucket and/or quick coupler, the respective weight has to be subtracted from above values. The use of a work tool attachment point to handle/lift objects, could affect the machine lift performance.

Always refer to the appropriate Operation and Maintenance Manual for specific product information.

# MH3024 Material Handler Specifications

## Lift Capacities

All values are in lb, work tool: none, hydraulic cab rise, solid tires, with counterweight (10,370 lb), heavy lift on.



### Undercarriage

9'0" or 9'10" (MH)

### Boom

24'5" (MH)

### Stick

14'1" (Straight)

| Undercarriage configuration                    | 10 ft   |         |         | 15 ft   |         |         | 20 ft   |         |         | 25 ft   |         |         | 30 ft   |         |        | 35 ft  |        |        | ft    |         |         |         |
|--|---------|---------|---------|---------|---------|---------|---------|---------|---------|---------|---------|---------|---------|---------|--------|--------|--------|--------|-------|---------|---------|---------|
|  |         |         |         |         |         |         |         |         |         |         |         |         |         |         |        |        |        |        |       |         |         |         |
| 35 ft Free on Wheels                           |         |         |         |         |         |         | 13,400  | 13,500  | 10,100  |         |         |         |         |         |        |        |        |        |       | 10,700  | 10,800  | 8,000   |
| 35 ft 2.75 m MH – 2 sets stabilizers – lowered |         |         |         |         |         |         | *14,600 | *14,600 | *14,600 |         |         |         |         |         |        |        |        |        |       | *11,600 | *11,600 | *11,600 |
| 35 ft 2.99 m MH – 2 sets stabilizers – lowered |         |         |         |         |         |         | *14,600 | *14,600 | *14,600 |         |         |         |         |         |        |        |        |        |       | *11,600 | *11,600 | *11,600 |
| 30 ft Free on Wheels                           |         |         |         |         |         |         | 13,600  | 13,700  | 10,300  | 9,200   | 9,200   | 6,800   |         |         |        |        |        |        |       | 7,400   | 7,400   | 5,400   |
| 30 ft 2.75 m MH – 2 sets stabilizers – lowered |         |         |         |         |         |         | *17,500 | *17,500 | *17,500 | *14,500 | *14,500 | 14,300  |         |         |        |        |        |        |       | *10,500 | *10,500 | *10,500 |
| 30 ft 2.99 m MH – 2 sets stabilizers – lowered |         |         |         |         |         |         | *17,500 | *17,500 | *17,500 | *14,500 | *14,500 | *14,500 |         |         |        |        |        |        |       | *10,500 | *10,500 | *10,500 |
| 25 ft Free on Wheels                           |         |         |         |         |         |         | 13,400  | 13,500  | 10,100  | 9,100   | 9,200   | 6,800   | 6,500   | 6,600   | 4,700  |        |        |        |       | 5,800   | 5,900   | 4,200   |
| 25 ft 2.75 m MH – 2 sets stabilizers – lowered |         |         |         |         |         |         | *17,700 | *17,700 | *17,700 | *14,500 | *14,500 | 14,200  | *12,200 | *12,200 | 10,300 |        |        |        |       | *10,100 | *10,100 | 9,300   |
| 25 ft 2.99 m MH – 2 sets stabilizers – lowered |         |         |         |         |         |         | *17,700 | *17,700 | *17,700 | *14,500 | *14,500 | *14,500 | *12,200 | *12,200 | 11,200 |        |        |        |       | *10,100 | *10,100 | *10,100 |
| 20 ft Free on Wheels                           |         |         |         | 20,800  | 20,900  | 15,400  | 12,900  | 12,900  | 9,600   | 8,900   | 8,900   | 6,500   | 6,400   | 4,600   |        |        |        |        |       | 4,900   | 5,000   | 3,400   |
| 20 ft 2.75 m MH – 2 sets stabilizers – lowered |         |         |         | *23,700 | *23,700 | *23,700 | *18,200 | *18,200 | *18,200 | *14,700 | *14,700 | 13,900  | *12,100 | *12,100 | 10,200 |        |        |        |       | *10,100 | *10,100 | 8,000   |
| 20 ft 2.99 m MH – 2 sets stabilizers – lowered |         |         |         | *23,700 | *23,700 | *23,700 | *18,200 | *18,200 | *18,200 | *14,700 | *14,700 | *14,700 | *12,100 | *12,100 | 11,100 |        |        |        |       | *10,100 | *10,100 | 8,800   |
| 15 ft Free on Wheels                           | 38,800  | 38,900  | 26,200  | 19,200  | 19,200  | 13,900  | 12,100  | 12,100  | 8,800   | 8,400   | 8,500   | 6,100   | 6,200   | 4,400   | 4,700  | 4,700  | 3,200  |        | 4,400 | 4,400   | 3,000   |         |
| 15 ft 2.75 m MH – 2 sets stabilizers – lowered | *39,100 | *39,100 | *39,100 | *25,400 | *25,400 | *25,400 | *18,900 | *18,900 | *18,900 | *14,900 | *14,900 | 13,400  | *12,100 | *12,100 | 10,000 | *9,600 | *9,600 | 7,700  |       | *9,100  | *9,100  | 7,300   |
| 15 ft 2.99 m MH – 2 sets stabilizers – lowered | *39,100 | *39,100 | *39,100 | *25,400 | *25,400 | *25,400 | *18,900 | *18,900 | *18,900 | *14,900 | *14,900 | 14,700  | *12,100 | *12,100 | 10,900 | *9,600 | *9,600 | 8,400  |       | *9,100  | *9,100  | 8,000   |
| 10 ft Free on Wheels                           |         |         |         | 17,100  | 17,200  | 12,000  | 11,200  | 11,200  | 8,000   | 7,900   | 8,000   | 5,600   | 5,900   | 5,900   | 4,100  | 4,500  | 4,500  | 3,100  |       | 4,100   | 4,100   | 2,700   |
| 10 ft 2.75 m MH – 2 sets stabilizers – lowered |         |         |         | *26,300 | *26,300 | *26,300 | *19,100 | *19,100 | 18,400  | *14,800 | *14,800 | 12,900  | *11,800 | *11,800 | 9,700  | *9,200 | *9,200 | 7,500  |       | *8,200  | *8,200  | 6,900   |
| 10 ft 2.99 m MH – 2 sets stabilizers – lowered |         |         |         | *26,300 | *26,300 | *26,300 | *19,100 | *19,100 | *19,100 | *14,800 | *14,800 | 14,100  | *11,800 | *11,800 | 10,600 | *9,200 | *9,200 | 8,200  |       | *8,200  | *8,200  | 7,500   |
| 5 ft Free on Wheels                            |         |         |         | *12,900 | *12,900 | 10,500  | 10,300  | 10,400  | 7,200   | 7,500   | 7,500   | 5,200   | 5,600   | 5,700   | 3,900  | 4,400  | 4,400  | 2,900  |       | 4,000   | 4,000   | 2,600   |
| 5 ft 2.75 m MH – 2 sets stabilizers – lowered  |         |         |         | *12,900 | *12,900 | *12,900 | *18,200 | *18,200 | 17,500  | *14,100 | *14,100 | 12,400  | *11,100 | *11,100 | 9,400  | *8,400 | *8,400 | 7,400  |       | *7,100  | *7,100  | 6,700   |
| 5 ft 2.99 m MH – 2 sets stabilizers – lowered  |         |         |         | *12,900 | *12,900 | *12,900 | *18,200 | *18,200 | *18,200 | *14,100 | *14,100 | 13,600  | *11,100 | *11,100 | 10,300 | *8,400 | *8,400 | 8,100  |       | *7,100  | *7,100  | *7,100  |
| 0 ft Free on Wheels                            |         |         |         | *10,800 | *10,800 | 9,900   | 9,800   | 9,800   | 6,700   | 7,100   | 7,200   | 4,900   | 5,400   | 5,500   | 3,700  | 4,300  | 4,300  | 2,800  |       | 4,000   | 4,000   | 2,600   |
| 0 ft 2.75 m MH – 2 sets stabilizers – lowered  |         |         |         | *10,800 | *10,800 | *10,800 | *15,900 | *15,900 | *15,900 | *12,600 | *12,600 | 12,000  | *9,700  | *9,700  | 9,100  | *6,900 | *6,900 | *6,900 |       | *5,900  | *5,900  | *5,900  |
| 0 ft 2.99 m MH – 2 sets stabilizers – lowered  |         |         |         | *10,800 | *10,800 | *10,800 | *15,900 | *15,900 | *15,900 | *12,600 | *12,600 | *12,600 | *9,700  | *9,700  | *9,700 | *6,900 | *6,900 | *6,900 |       | *5,900  | *5,900  | *5,900  |
| -5 ft Free on Wheels                           |         |         |         |         |         |         | 9,600   | 9,600   | 6,500   | 6,900   | 7,000   | 4,700   | 5,300   | 5,400   | 3,600  |        |        |        |       |         |         |         |
| -5 ft 2.75 m MH – 2 sets stabilizers – lowered |         |         |         |         |         |         | *12,200 | *12,200 | *12,200 | *10,000 | *10,000 | *10,000 | *7,500  | *7,500  | *7,500 |        |        |        |       |         |         |         |
| -5 ft 2.99 m MH – 2 sets stabilizers – lowered |         |         |         |         |         |         | *12,200 | *12,200 | *12,200 | *10,000 | *10,000 | *10,000 | *7,500  | *7,500  | *7,500 |        |        |        |       |         |         |         |

\*Limited by hydraulic rather than tipping load.

Lift capacity ratings are based on ISO 10567:2007, they do not exceed 87% of hydraulic lifting capacity or 75% of tipping load. The load point is the center line of the bucket pivot mounting pin on the stick. The oscillating axle must be locked. Lifting capacities are based on the machine standing on a firm uniform supporting surface. For lifting capacity including bucket and/or quick coupler, the respective weight has to be subtracted from above values. The use of a work tool attachment point to handle/lift objects, could affect the machine lift performance.

Always refer to the appropriate Operation and Maintenance Manual for specific product information.

# MH3024 Material Handler Specifications

## Lift Capacities

All values are in kg, work tool: none, hydraulic cab rise, solid tires, with counterweight (4200 kg), heavy lift on.



### Undercarriage

2.75 m or 2.99 m (MH)

### Boom

6.4 m (MH)

### Stick

4.3 m (Straight)

| Load point height | Undercarriage configuration              | 3000 mm         |                |                | 4500 mm         |                |                | 6000 mm         |                |                | 7500 mm         |                |                | 9000 mm         |                |                |                       | mm                    |                       |       |
|-------------------|--|-----------------|----------------|----------------|-----------------|----------------|----------------|-----------------|----------------|----------------|-----------------|----------------|----------------|-----------------|----------------|----------------|-----------------------|-----------------------|-----------------------|-------|
|                   |  | Load over front | Load over rear | Load over side | Load over front | Load over rear | Load over side | Load over front | Load over rear | Load over side | Load over front | Load over rear | Load over side | Load over front | Load over rear | Load over side | Load at maximum reach | Load at maximum reach | Load at maximum reach |       |
| 10 500 mm         | Free on Wheels                           |                 |                |                | *7200           | *7200          | 7100           |                 |                |                |                 |                |                |                 |                |                |                       | *5800                 | *5800                 | 5300  |
|                   | 2.75 m MH – 2 sets stabilizers – lowered |                 |                |                | *7200           | *7200          | *7200          |                 |                |                |                 |                |                |                 |                |                |                       | *5800                 | *5800                 | *5800 |
|                   | 2.99 m MH – 2 sets stabilizers – lowered |                 |                |                | *7200           | *7200          | *7200          |                 |                |                |                 |                |                |                 |                |                |                       | *5800                 | *5800                 | *5800 |
| 9000 mm           | Free on Wheels                           |                 |                |                | *8750           | *8750          | 7300           | 6000            | 6050           | 4500           |                 |                |                |                 |                |                |                       | 4250                  | 4250                  | 3150  |
|                   | 2.75 m MH – 2 sets stabilizers – lowered |                 |                |                | *8750           | *8750          | *8750          | *7300           | *7300          | *7300          |                 |                |                |                 |                |                |                       | *4950                 | *4950                 | *4950 |
|                   | 2.99 m MH – 2 sets stabilizers – lowered |                 |                |                | *8750           | *8750          | *8750          | *7300           | *7300          | *7300          |                 |                |                |                 |                |                |                       | *4950                 | *4950                 | *4950 |
| 7500 mm           | Free on Wheels                           |                 |                |                | *9750           | *9750          | 7300           | 6000            | 6050           | 4500           | 4100            | 4100           | 3000           |                 |                |                |                       | 3200                  | 3200                  | 2350  |
|                   | 2.75 m MH – 2 sets stabilizers – lowered |                 |                |                | *9750           | *9750          | *9750          | *8200           | *8200          | *8200          | *6900           | *6900          | 6350           |                 |                |                |                       | *4650                 | *4650                 | *4650 |
|                   | 2.99 m MH – 2 sets stabilizers – lowered |                 |                |                | *9750           | *9750          | *9750          | *8200           | *8200          | *8200          | *6900           | *6900          | 6900           |                 |                |                |                       | *4650                 | *4650                 | *4650 |
| 6000 mm           | Free on Wheels                           |                 |                |                | 9550            | 9600           | 7050           | 5900            | 5900           | 4400           | 4000            | 4050           | 2950           | 2900            | 2900           | 2100           | 2650                  | 2700                  | 1900                  |       |
|                   | 2.75 m MH – 2 sets stabilizers – lowered |                 |                |                | *10 500         | *10 500        | *10 500        | *8400           | *8400          | *8400          | *6950           | *6950          | 6300           | *5800           | *5800          | 4600           | *4550                 | *4550                 | 4250                  |       |
|                   | 2.99 m MH – 2 sets stabilizers – lowered |                 |                |                | *10 500         | *10 500        | *10 500        | *8400           | *8400          | *8400          | *6950           | *6950          | 6850           | *5800           | *5800          | 5000           | *4550                 | *4550                 | *4550                 |       |
| 4500 mm           | Free on Wheels                           | *14 950         | *14 950        | 12 900         | 9050            | 9050           | 6600           | 5600            | 5650           | 4150           | 3900            | 3900           | 2850           | 2850            | 2850           | 2050           | 2350                  | 2400                  | 1650                  |       |
|                   | 2.75 m MH – 2 sets stabilizers – lowered | *14 950         | *14 950        | *14 950        | *11 400         | *11 400        | *11 400        | *8750           | *8750          | *8750          | *7050           | *7050          | 6150           | *5750           | *5750          | 4550           | *4600                 | *4600                 | 3850                  |       |
|                   | 2.99 m MH – 2 sets stabilizers – lowered | *14 950         | *14 950        | *14 950        | *11 400         | *11 400        | *11 400        | *8750           | *8750          | *8750          | *7050           | *7050          | 6700           | *5750           | *5750          | 4950           | *4600                 | *4600                 | 4200                  |       |
| 3000 mm           | Free on Wheels                           | 16 500          | 16 600         | 10 950         | 8300            | 8300           | 5900           | 5250            | 5300           | 3800           | 3700            | 3750           | 2650           | 2750            | 2750           | 1950           | 2200                  | 2200                  | 1500                  |       |
|                   | 2.75 m MH – 2 sets stabilizers – lowered | *19 200         | *19 200        | *19 200        | *12 300         | *12 300        | *12 300        | *9050           | *9050          | 8600           | *7100           | *7100          | 5950           | *5650           | *5650          | 4450           | *4500                 | *4500                 | 3600                  |       |
|                   | 2.99 m MH – 2 sets stabilizers – lowered | *19 200         | *19 200        | *19 200        | *12 300         | *12 300        | *12 300        | *9050           | *9050          | *9050          | *7100           | *7100          | 6500           | *5650           | *5650          | 4850           | *4500                 | *4500                 | 3950                  |       |
| 1500 mm           | Free on Wheels                           | *3000           | *3000          | *3000          | 7550            | 7600           | 5250           | 4950            | 4950           | 3500           | 3550            | 3550           | 2500           | 2650            | 2650           | 1850           | 2150                  | 2150                  | 1450                  |       |
|                   | 2.75 m MH – 2 sets stabilizers – lowered | *3000           | *3000          | *3000          | *12 350         | *12 350        | *12 350        | *9000           | *9000          | 8200           | *6900           | *6900          | 5750           | *5350           | *5350          | 4350           | *4000                 | *4000                 | 3500                  |       |
|                   | 2.99 m MH – 2 sets stabilizers – lowered | *3000           | *3000          | *3000          | *12 350         | *12 350        | *12 350        | *9000           | *9000          | *9000          | *6900           | *6900          | 6300           | *5350           | *5350          | 4750           | *4000                 | *4000                 | 3850                  |       |
| 0 mm              | Free on Wheels                           |                 |                |                | 7150            | 7200           | 4900           | 4700            | 4700           | 3250           | 3400            | 3400           | 2350           | 2550            | 2600           | 1750           |                       |                       |                       |       |
|                   | 2.75 m MH – 2 sets stabilizers – lowered |                 |                |                | *10 200         | *10 200        | *10 200        | *8250           | *8250          | 7900           | *6250           | *6250          | 5600           | *4700           | *4700          | 4250           |                       |                       |                       |       |
|                   | 2.99 m MH – 2 sets stabilizers – lowered |                 |                |                | *10 200         | *10 200        | *10 200        | *8250           | *8250          | *8250          | *6250           | *6250          | 6150           | *4700           | *4700          | 4650           |                       |                       |                       |       |

## Lift Capacities

All values are in lb, work tool: none, hydraulic cab rise, solid tires, with counterweight (9,260 lb), heavy lift on.



### Undercarriage

9'0" or 9'10" (MH)

### Boom

21'0" (MH)

### Stick

14'1" (Straight)

| Load point height | Undercarriage configuration              | 10 ft           |                |                | 15 ft           |                |                | 20 ft           |                |                | 25 ft           |                |                | 30 ft           |                |                |                       | ft                    |                       |         |
|-------------------|--|-----------------|----------------|----------------|-----------------|----------------|----------------|-----------------|----------------|----------------|-----------------|----------------|----------------|-----------------|----------------|----------------|-----------------------|-----------------------|-----------------------|---------|
|                   |  | Load over front | Load over rear | Load over side | Load over front | Load over rear | Load over side | Load over front | Load over rear | Load over side | Load over front | Load over rear | Load over side | Load over front | Load over rear | Load over side | Load at maximum reach | Load at maximum reach | Load at maximum reach |         |
| 35 ft             | Free on Wheels                           |                 |                |                | *15,000         | *15,000        | *15,000        |                 |                |                |                 |                |                |                 |                |                |                       | *13,100               | *13,100               | 12,800  |
|                   | 2.75 m MH – 2 sets stabilizers – lowered |                 |                |                | *15,000         | *15,000        | *15,000        |                 |                |                |                 |                |                |                 |                |                |                       | *13,100               | *13,100               | *13,100 |
|                   | 2.99 m MH – 2 sets stabilizers – lowered |                 |                |                | *15,000         | *15,000        | *15,000        |                 |                |                |                 |                |                |                 |                |                |                       | *13,100               | *13,100               | *13,100 |
| 30 ft             | Free on Wheels                           |                 |                |                | *18,900         | *18,900        | 15,700         | 12,900          | 12,900         | 9,600          |                 |                |                |                 |                |                |                       | 9,700                 | 9,700                 | 7,200   |
|                   | 2.75 m MH – 2 sets stabilizers – lowered |                 |                |                | *18,900         | *18,900        | *18,900        | *15,400         | *15,400        | *15,400        |                 |                |                |                 |                |                |                       | *11,100               | *11,100               | *11,100 |
|                   | 2.99 m MH – 2 sets stabilizers – lowered |                 |                |                | *18,900         | *18,900        | *18,900        | *15,400         | *15,400        | *15,400        |                 |                |                |                 |                |                |                       | *11,100               | *11,100               | *11,100 |
| 25 ft             | Free on Wheels                           |                 |                |                | 21,100          | 21,100         | 15,700         | 12,900          | 13,000         | 9,700          | 8,700           | 8,800          | 6,500          |                 |                |                |                       | 7,200                 | 7,200                 | 5,200   |
|                   | 2.75 m MH – 2 sets stabilizers – lowered |                 |                |                | *21,200         | *21,200        | *21,200        | *17,800         | *17,800        | *17,800        | *14,700         | *14,700        | 13,700         |                 |                |                |                       | *10,300               | *10,300               | *10,300 |
|                   | 2.99 m MH – 2 sets stabilizers – lowered |                 |                |                | *21,200         | *21,200        | *21,200        | *17,800         | *17,800        | *17,800        | *14,700         | *14,700        | *14,700        |                 |                |                |                       | *10,300               | *10,300               | *10,300 |
| 20 ft             | Free on Wheels                           |                 |                |                | 20,500          | 20,600         | 15,200         | 12,600          | 12,700         | 9,400          | 8,600           | 8,700          | 6,400          | 6,200           | 6,200          | 4,400          | 5,900                 | 6,000                 | 4,200                 |         |
|                   | 2.75 m MH – 2 sets stabilizers – lowered |                 |                |                | *22,800         | *22,800        | *22,800        | *18,200         | *18,200        | *18,200        | *15,100         | *15,100        | 13,500         | *11,500         | *11,500        | 9,900          | *10,100               | *10,100               | 9,500                 |         |
|                   | 2.99 m MH – 2 sets stabilizers – lowered |                 |                |                | *22,800         | *22,800        | *22,800        | *18,200         | *18,200        | *18,200        | *15,100         | *15,100        | 14,700         | *11,500         | *11,500        | 10,700         | *10,100               | *10,100               | *10,100               |         |
| 15 ft             | Free on Wheels                           | *32,000         | *32,000        | 27,900         | 19,400          | 19,500         | 14,200         | 12,100          | 12,200         | 8,900          | 8,400           | 8,400          | 6,100          | 6,100           | 6,100          | 4,300          | 5,200                 | 5,300                 | 3,700                 |         |
|                   | 2.75 m MH – 2 sets stabilizers – lowered | *32,000         | *32,000        | *32,000        | *24,700         | *24,700        | *24,700        | *19,000         | *19,000        | *19,000        | *15,300         | *15,300        | 13,200         | *12,400         | *12,400        | 9,700          | *10,200               | *10,200               | 8,500                 |         |
|                   | 2.99 m MH – 2 sets stabilizers – lowered | *32,000         | *32,000        | *32,000        | *24,700         | *24,700        | *24,700        | *19,000         | *19,000        | *19,000        | *15,300         | *15,300        | 14,400         | *12,400         | *12,400        | 10,600         | *10,200               | *10,200               | 9,200                 |         |
| 10 ft             | Free on Wheels                           | 35,500          | 35,700         | 23,700         | 17,900          | 17,900         | 12,800         | 11,400          | 11,400         | 8,200          | 8,000           | 8,000          | 5,700          | 5,900           | 5,900          | 4,200          | 4,800                 | 4,900                 | 3,400                 |         |
|                   | 2.75 m MH – 2 sets stabilizers – lowered | *41,500         | *41,500        | *41,500        | *26,600         | *26,600        | *26,600        | *19,600         | *19,600        | 18,500         | *15,300         | *15,300        | 12,800         | *12,200         | *12,200        | 9,500          | *9,900                | *9,900                | 7,900                 |         |
|                   | 2.99 m MH – 2 sets stabilizers – lowered | *41,500         | *41,500        | *41,500        | *26,600         | *26,600        | *26,600        | *19,600         | *19,600        | *19,600        | *15,300         | *15,300        | 14,000         | *12,200         | *12,200        | 10,400         | *9,900                | *9,900                | 8,700                 |         |
| 5 ft              | Free on Wheels                           | *7,100          | *7,100         | *7,100         | 16,300          | 16,400         | 11,400         | 10,600          | 10,700         | 7,600          | 7,600           | 7,600          | 5,400          | 5,700           | 5,700          | 4,000          | 4,700                 | 4,700                 | 3,200                 |         |
|                   | 2.75 m MH – 2 sets stabilizers – lowered | *7,100          | *7,100         | *7,100         | *26,800         | *26,800        | *26,800        | *19,500         | *19,500        | 17,600         | *14,900         | *14,900        | 12,400         | *11,500         | *11,500        | 9,300          | *8,800                | *8,800                | 7,700                 |         |
|                   | 2.99 m MH – 2 sets stabilizers – lowered | *7,100          | *7,100         | *7,100         | *26,800         | *26,800        | *26,800        | *19,500         | *19,500        | 19,400         | *14,900         | *14,900        | 13,600         | *11,500         | *11,500        | 10,200         | *8,800                | *8,800                | 8,500                 |         |
| 0 ft              | Free on Wheels                           |                 |                |                | 15,400          | 15,500         | 10,500         | 10,100          | 10,200         | 7,000          | 7,300           | 7,300          | 5,100          | 5,500           | 5,600          | 3,800          |                       |                       |                       |         |
|                   | 2.75 m MH – 2 sets stabilizers – lowered |                 |                |                | *23,700         | *23,700        | *23,700        | *17,800         | *17,800        | 17,000         | *13,500         | *13,500        | 12,100         | *10,000         | *10,000        | 9,100          |                       |                       |                       |         |
|                   | 2.99 m MH – 2 sets stabilizers – lowered |                 |                |                | *23,700         | *23,700        | *23,700        | *17,800         | *17,800        | *17,800        | *13,500         | *13,500        | 13,200         | *10,000         | *10,000        | *10,000        |                       |                       |                       |         |

\*Limited by hydraulic rather than tipping load.

Lift capacity ratings are based on ISO 10567:2007, they do not exceed 87% of hydraulic lifting capacity or 75% of tipping load. The load point is the center line of the bucket pivot mounting pin on the stick. The oscillating axle must be locked. Lifting capacities are based on the machine standing on a firm uniform supporting surface. For lifting capacity including bucket and/or quick coupler, the respective weight has to be subtracted from above values. The use of a work tool attachment point to handle/lift objects, could affect the machine lift performance.

Always refer to the appropriate Operation and Maintenance Manual for specific product information.

# MH3024 Material Handler Specifications

## Lift Capacities

All values are in kg, work tool: none, hydraulic cab rise, solid tires, with counterweight (4700 kg), heavy lift on.



### Undercarriage

2.75 m or 2.99 m (MH)

### Boom

6.4 m (MH)

### Stick

4.3 m (Straight)

| Load Point | Undercarriage configuration              | 3000 mm |         |         | 4500 mm |         |         | 6000 mm |       |       | 7500 mm |       |       | 9000 mm |       |       | mm    |       |       |
|------------|--|---------|---------|---------|---------|---------|---------|---------|-------|-------|---------|-------|-------|---------|-------|-------|-------|-------|-------|
|            |  | Front   | Side    | Rear    | Front   | Side    | Rear    | Front   | Side  | Rear  | Front   | Side  | Rear  | Front   | Side  | Rear  | Front | Side  | Rear  |
| 10 500 mm  | Free on Wheels                           |         |         |         | *7200   | *7200   | *7200   |         |       |       |         |       |       |         |       |       | *5800 | *5800 | 5600  |
|            | 2.75 m MH – 2 sets stabilizers – lowered |         |         |         | *7200   | *7200   | *7200   |         |       |       |         |       |       |         |       |       | *5800 | *5800 | *5800 |
|            | 2.99 m MH – 2 sets stabilizers – lowered |         |         |         | *7200   | *7200   | *7200   |         |       |       |         |       |       |         |       |       | *5800 | *5800 | *5800 |
| 9000 mm    | Free on Wheels                           |         |         |         | *8750   | *8750   | 7650    | 6300    | 6300  | 4750  |         |       |       |         |       |       | 4450  | 4500  | 3350  |
|            | 2.75 m MH – 2 sets stabilizers – lowered |         |         |         | *8750   | *8750   | *8750   | *7300   | *7300 | *7300 |         |       |       |         |       |       | *4950 | *4950 | *4950 |
|            | 2.99 m MH – 2 sets stabilizers – lowered |         |         |         | *8750   | *8750   | *8750   | *7300   | *7300 | *7300 |         |       |       |         |       |       | *4950 | *4950 | *4950 |
| 7500 mm    | Free on Wheels                           |         |         |         | *9750   | *9750   | 7650    | 6300    | 6350  | 4750  | 4300    | 4300  | 3200  |         |       |       | 3400  | 3400  | 2500  |
|            | 2.75 m MH – 2 sets stabilizers – lowered |         |         |         | *9750   | *9750   | *9750   | *8200   | *8200 | *8200 | *6900   | *6900 | 6650  |         |       |       | *4650 | *4650 | *4650 |
|            | 2.99 m MH – 2 sets stabilizers – lowered |         |         |         | *9750   | *9750   | *9750   | *8200   | *8200 | *8200 | *6900   | *6900 | *6900 |         |       |       | *4650 | *4650 | *4650 |
| 6000 mm    | Free on Wheels                           |         |         |         | 10 000  | 10 050  | 7450    | 6150    | 6200  | 4650  | 4250    | 4250  | 3150  | 3050    | 3100  | 2250  | 2850  | 2850  | 2050  |
|            | 2.75 m MH – 2 sets stabilizers – lowered |         |         |         | *10 500 | *10 500 | *10 500 | *8400   | *8400 | *8400 | *6900   | *6900 | 6600  | *5800   | *5800 | 4800  | *4550 | *4550 | 4500  |
|            | 2.99 m MH – 2 sets stabilizers – lowered |         |         |         | *10 500 | *10 500 | *10 500 | *8400   | *8400 | *8400 | *6900   | *6900 | *6900 | *5800   | *5800 | 5250  | *4550 | *4550 | *4550 |
| 4500 mm    | Free on Wheels                           | *14 950 | *14 950 | 13 550  | 9450    | 9500    | 6950    | 5900    | 5950  | 4400  | 4100    | 4150  | 3050  | 3000    | 3050  | 2200  | 2500  | 2550  | 1800  |
|            | 2.75 m MH – 2 sets stabilizers – lowered | *14 950 | *14 950 | *14 950 | *11 400 | *11 400 | *11 400 | *8750   | *8750 | *8750 | *7050   | *7050 | 6450  | *5750   | *5750 | 4750  | *4600 | *4600 | 4050  |
|            | 2.99 m MH – 2 sets stabilizers – lowered | *14 950 | *14 950 | *14 950 | *11 400 | *11 400 | *11 400 | *8750   | *8750 | *8750 | *7050   | *7050 | 7000  | *5750   | *5750 | 5200  | *4600 | *4600 | 4400  |
| 3000 mm    | Free on Wheels                           | 17 350  | 17 400  | 11 600  | 8700    | 8750    | 6300    | 5550    | 5600  | 4050  | 3950    | 3950  | 2850  | 2900    | 2950  | 2100  | 2350  | 2350  | 1650  |
|            | 2.75 m MH – 2 sets stabilizers – lowered | *19 200 | *19 200 | *19 200 | *12 300 | *12 300 | *12 300 | *9050   | *9050 | 9000  | *7100   | *7100 | 6250  | *5650   | *5650 | 4650  | *4500 | *4500 | 3800  |
|            | 2.99 m MH – 2 sets stabilizers – lowered | *19 200 | *19 200 | *19 200 | *12 300 | *12 300 | *12 300 | *9050   | *9050 | *9050 | *7100   | *7100 | 6800  | *5650   | *5650 | 5100  | *4500 | *4500 | 4150  |
| 1500 mm    | Free on Wheels                           | *3000   | *3000   | *3000   | 8000    | 8050    | 5650    | 5250    | 5250  | 3750  | 3750    | 3750  | 2700  | 2850    | 2850  | 2000  | 2300  | 2300  | 1600  |
|            | 2.75 m MH – 2 sets stabilizers – lowered | *3000   | *3000   | *3000   | *12 350 | *12 350 | *12 350 | *9000   | *9000 | 8600  | *6900   | *6900 | 6050  | *5350   | *5350 | 4650  | *4000 | *4000 | 3700  |
|            | 2.99 m MH – 2 sets stabilizers – lowered | *3000   | *3000   | *3000   | *12 350 | *12 350 | *12 350 | *9000   | *9000 | *9000 | *6900   | *6900 | 6600  | *5350   | *5350 | 4950  | *4000 | *4000 | *4000 |
| 0 mm       | Free on Wheels                           |         |         |         | 7600    | 7600    | 5250    | 5000    | 5000  | 3500  | 3600    | 3650  | 2550  | 2750    | 2750  | 1950  |       |       |       |
|            | 2.75 m MH – 2 sets stabilizers – lowered |         |         |         | *10 200 | *10 200 | *10 200 | *8250   | *8250 | *8250 | *6250   | *6250 | 5900  | *4700   | *4700 | 4450  |       |       |       |
|            | 2.99 m MH – 2 sets stabilizers – lowered |         |         |         | *10 200 | *10 200 | *10 200 | *8250   | *8250 | *8250 | *6250   | *6250 | *6250 | *4700   | *4700 | *4700 |       |       |       |

## Lift Capacities

All values are in lb, work tool: none, hydraulic cab rise, solid tires, with counterweight (10,370 lb), heavy lift on.



### Undercarriage

9'0" or 9'10" (MH)

### Boom

21'0" (MH)

### Stick

14'1" (Straight)

| Load Point | Undercarriage configuration              | 10 ft   |         |         | 15 ft   |         |         | 20 ft   |         |         | 25 ft   |         |         | 30 ft   |         |         | ft      |         |         |
|------------|--|---------|---------|---------|---------|---------|---------|---------|---------|---------|---------|---------|---------|---------|---------|---------|---------|---------|---------|
|            |  | Front   | Side    | Rear    | Front   | Side    | Rear    | Front   | Side    | Rear    | Front   | Side    | Rear    | Front   | Side    | Rear    | Front   | Side    | Rear    |
| 35 ft      | Free on Wheels                           |         |         |         | *15,000 | *15,000 | *15,000 |         |         |         |         |         |         |         |         |         | *13,100 | *13,100 | *13,100 |
|            | 2.75 m MH – 2 sets stabilizers – lowered |         |         |         | *15,000 | *15,000 | *15,000 |         |         |         |         |         |         |         |         |         | *13,100 | *13,100 | *13,100 |
|            | 2.99 m MH – 2 sets stabilizers – lowered |         |         |         | *15,000 | *15,000 | *15,000 |         |         |         |         |         |         |         |         |         | *13,100 | *13,100 | *13,100 |
| 30 ft      | Free on Wheels                           |         |         |         | *18,900 | *18,900 | 16,500  | 13,500  | 13,500  | 10,200  |         |         |         |         |         |         | 10,200  | 10,200  | 7,600   |
|            | 2.75 m MH – 2 sets stabilizers – lowered |         |         |         | *18,900 | *18,900 | *18,900 | *15,400 | *15,400 | *15,400 |         |         |         |         |         |         | *11,100 | *11,100 | *11,100 |
|            | 2.99 m MH – 2 sets stabilizers – lowered |         |         |         | *18,900 | *18,900 | *18,900 | *15,400 | *15,400 | *15,400 |         |         |         |         |         |         | *11,100 | *11,100 | *11,100 |
| 25 ft      | Free on Wheels                           |         |         |         | *21,200 | *21,200 | 16,500  | 13,600  | 13,600  | 10,200  | 9,200   | 9,300   | 6,900   |         |         |         | 7,600   | 7,600   | 5,600   |
|            | 2.75 m MH – 2 sets stabilizers – lowered |         |         |         | *21,200 | *21,200 | *21,200 | *17,800 | *17,800 | *17,800 | *14,700 | *14,700 | 14,300  |         |         |         | *10,300 | *10,300 | *10,300 |
|            | 2.99 m MH – 2 sets stabilizers – lowered |         |         |         | *21,200 | *21,200 | *21,200 | *17,800 | *17,800 | *17,800 | *14,700 | *14,700 | *14,700 |         |         |         | *10,300 | *10,300 | *10,300 |
| 20 ft      | Free on Wheels                           |         |         |         | 21,500  | 21,600  | 16,000  | 13,300  | 13,300  | 10,000  | 9,100   | 9,200   | 6,800   | 6,600   | 6,600   | 4,800   | 6,300   | 6,300   | 4,600   |
|            | 2.75 m MH – 2 sets stabilizers – lowered |         |         |         | *22,800 | *22,800 | *22,800 | *18,200 | *18,200 | *18,200 | *15,100 | *15,100 | 14,200  | *11,500 | *11,500 | 10,300  | *10,100 | *10,100 | 10,000  |
|            | 2.99 m MH – 2 sets stabilizers – lowered |         |         |         | *22,800 | *22,800 | *22,800 | *18,200 | *18,200 | *18,200 | *15,100 | *15,100 | *15,100 | *11,500 | *11,500 | 11,200  | *10,100 | *10,100 | *10,100 |
| 15 ft      | Free on Wheels                           | *32,000 | *32,000 | 29,200  | 20,400  | 20,500  | 15,000  | 12,700  | 12,800  | 9,500   | 8,800   | 8,900   | 6,500   | 6,500   | 6,500   | 4,700   | 5,600   | 5,600   | 4,000   |
|            | 2.75 m MH – 2 sets stabilizers – lowered | *32,000 | *32,000 | *32,000 | *24,700 | *24,700 | *24,700 | *19,000 | *19,000 | *19,000 | *15,300 | *15,300 | 13,900  | *12,400 | *12,400 | 10,200  | *10,200 | *10,200 | 8,900   |
|            | 2.99 m MH – 2 sets stabilizers – lowered | *32,000 | *32,000 | *32,000 | *24,700 | *24,700 | *24,700 | *19,000 | *19,000 | *19,000 | *15,300 | *15,300 | 15,100  | *12,400 | *12,400 | 11,100  | *10,200 | *10,200 | 9,700   |
| 10 ft      | Free on Wheels                           | 37,300  | 37,500  | 25,100  | 18,800  | 18,900  | 13,600  | 12,000  | 12,100  | 8,800   | 8,500   | 8,500   | 6,200   | 6,300   | 6,300   | 4,500   | 5,200   | 5,200   | 3,700   |
|            | 2.75 m MH – 2 sets stabilizers – lowered | *41,500 | *41,500 | *41,500 | *26,600 | *26,600 | *26,600 | *19,600 | *19,600 | 19,300  | *15,300 | *15,300 | 13,400  | *12,200 | *12,200 | 10,000  | *9,900  | *9,900  | 8,400   |
|            | 2.99 m MH – 2 sets stabilizers – lowered | *41,500 | *41,500 | *41,500 | *26,600 | *26,600 | *26,600 | *19,600 | *19,600 | *19,600 | *15,300 | *15,300 | 14,700  | *12,200 | *12,200 | 10,900  | *9,900  | *9,900  | 9,100   |
| 5 ft       | Free on Wheels                           | *7,100  | *7,100  | *7,100  | 17,300  | 17,300  | 12,200  | 11,300  | 11,300  | 8,100   | 8,100   | 8,100   | 5,800   | 6,100   | 6,100   | 4,300   | 5,000   | 5,100   | 3,500   |
|            | 2.75 m MH – 2 sets stabilizers – lowered | *7,100  | *7,100  | *7,100  | *26,800 | *26,800 | *26,800 | *19,500 | *19,500 | 18,500  | *14,900 | *14,900 | 13,000  | *11,500 | *11,500 | 9,800   | *8,800  | *8,800  | 8,200   |
|            | 2.99 m MH – 2 sets stabilizers – lowered | *7,100  | *7,100  | *7,100  | *26,800 | *26,800 | *26,800 | *19,500 | *19,500 | *19,500 | *14,900 | *14,900 | 14,200  | *11,500 | *11,500 | 10,700  | *8,800  | *8,800  | *8,800  |
| 0 ft       | Free on Wheels                           |         |         |         | 16,300  | 16,400  | 11,300  | 10,700  | 10,800  | 7,600   | 7,800   | 7,800   | 5,500   | 5,900   | 6,000   | 4,200   |         |         |         |
|            | 2.75 m MH – 2 sets stabilizers – lowered |         |         |         | *23,700 | *23,700 | *23,700 | *17,800 | *17,800 | *17,800 | *13,500 | *13,500 | 12,700  | *10,000 | *10,000 | 9,600   |         |         |         |
|            | 2.99 m MH – 2 sets stabilizers – lowered |         |         |         | *23,700 | *23,700 | *23,700 | *17,800 | *17,800 | *17,800 | *13,500 | *13,500 | *13,500 | *10,000 | *10,000 | *10,000 |         |         |         |

\*Limited by hydraulic rather than tipping load.

Lift capacity ratings are based on ISO 10567:2007, they do not exceed 87% of hydraulic lifting capacity or 75% of tipping load. The load point is the center line of the bucket pivot mounting pin on the stick. The oscillating axle must be locked. Lifting capacities are based on the machine standing on a firm uniform supporting surface. For lifting capacity including bucket and/or quick coupler, the respective weight has to be subtracted from above values. The use of a work tool attachment point to handle/lift objects, could affect the machine lift performance.

Always refer to the appropriate Operation and Maintenance Manual for specific product information.





# MH3024 Material Handler Specifications

## Lift Capacities

All values are in kg, work tool: none, hydraulic cab rise, pneumatic tires, bucket cylinder and bucket linkage installed, with counterweight (4200 kg), heavy lift on.



### Undercarriage

2.75 m (MH or STD) or 2.99 m (MH)

### Boom

5.65 m (One-Piece)

### Stick

2.9 m (Straight)

| Load point height | Undercarriage configuration                          | 3000 mm         |                |                | 4500 mm         |                |                | 6000 mm         |                |                | 7500 mm         |                |                | Load at maximum reach (stick nose/bucket pin) |                |                | mm   |
|-------------------|--|-----------------|----------------|----------------|-----------------|----------------|----------------|-----------------|----------------|----------------|-----------------|----------------|----------------|---|----------------|----------------|------|
|                   |  | Load over front | Load over rear | Load over side | Load over front | Load over rear | Load over side | Load over front | Load over rear | Load over side | Load over front | Load over rear | Load over side | Load over front                               | Load over rear | Load over side |      |
| 7500 mm           | Free on Wheels                                       |                 |                |                |                 |                |                | *4600           | *4600          | 4400           |                 |                |                | *3400   | *3400          | *3400          | 6380 |
|                   | 2.75 m MH – 2 sets stabilizers – lowered             |                 |                |                |                 |                |                | *4600           | *4600          | *4600          |                 |                |                | *3400   | *3400          | *3400          |      |
|                   | 2.99 m MH – 2 sets stabilizers – lowered             |                 |                |                |                 |                |                | *4600           | *4600          | *4600          |                 |                |                | *3400   | *3400          | *3400          |      |
|                   | 2.75 m STD – Front stabilizer – rear dozer – lowered |                 |                |                |                 |                |                | *4600           | *4600          | *4600          |                 |                |                | *3400   | *3400          | *3400          |      |
|                   | 2.75 m STD – Front dozer – rear stabilizer – lowered |                 |                |                |                 |                |                | *4600           | *4600          | *4600          |                 |                |                | *3400   | *3400          | *3400          |      |
| 6000 mm           | Free on Wheels                                       |                 |                |                |                 |                |                | *5250           | *5250          | 4350           | *3200           | *3200          | 3000           | *3150   | *3150          | 2950           | 7510 |
|                   | 2.75 m MH – 2 sets stabilizers – lowered             |                 |                |                |                 |                |                | *5250           | *5250          | *5250          | *3200           | *3200          | *3200          | *3150   | *3150          | *3150          |      |
|                   | 2.99 m MH – 2 sets stabilizers – lowered             |                 |                |                |                 |                |                | *5250           | *5250          | *5250          | *3200           | *3200          | *3200          | *3150   | *3150          | *3150          |      |
|                   | 2.75 m STD – Front stabilizer – rear dozer – lowered |                 |                |                |                 |                |                | *5250           | *5250          | *5250          | *3200           | *3200          | *3200          | *3150   | *3150          | *3150          |      |
|                   | 2.75 m STD – Front dozer – rear stabilizer – lowered |                 |                |                |                 |                |                | *5250           | *5250          | *5250          | *3200           | *3200          | *3200          | *3150   | *3150          | *3150          |      |
| 4500 mm           | Free on Wheels                                       |                 |                |                |                 |                |                | *5700           | 5250           | 4200           | 4050            | 3700           | 2950           | *3050   | *3050          | 2500           | 8200 |
|                   | 2.75 m MH – 2 sets stabilizers – lowered             |                 |                |                |                 |                |                | *5700           | *5700          | *5700          | *5050           | *5050          | *5050          | *3050   | *3050          | *3050          |      |
|                   | 2.99 m MH – 2 sets stabilizers – lowered             |                 |                |                |                 |                |                | *5700           | *5700          | *5700          | *5050           | *5050          | *5050          | *3050   | *3050          | *3050          |      |
|                   | 2.75 m STD – Front stabilizer – rear dozer – lowered |                 |                |                |                 |                |                | *5700           | *5700          | *5700          | *5050           | *5050          | 4550           | *3050   | *3050          | *3050          |      |
|                   | 2.75 m STD – Front dozer – rear stabilizer – lowered |                 |                |                |                 |                |                | *5700           | *5700          | *5700          | *5050           | *5050          | 4650           | *3050   | *3050          | *3050          |      |
| 3000 mm           | Free on Wheels                                       |                 |                |                | *8400           | 7650           | 5950           | 5500            | 5000           | 3950           | 3900            | 3600           | 2850           | *3100   | 2900           | 2300           | 8570 |
|                   | 2.75 m MH – 2 sets stabilizers – lowered             |                 |                |                | *8400           | *8400          | *8400          | *6350           | *6350          | *6350          | *5300           | *5300          | *5300          | *3100   | *3100          | *3100          |      |
|                   | 2.99 m MH – 2 sets stabilizers – lowered             |                 |                |                | *8400           | *8400          | *8400          | *6350           | *6350          | *6350          | *5300           | *5300          | *5300          | *3100   | *3100          | *3100          |      |
|                   | 2.75 m STD – Front stabilizer – rear dozer – lowered |                 |                |                | *8400           | *8400          | *8400          | *6350           | *6350          | 6150           | *5300           | *5300          | 4400           | *3100   | *3100          | *3100          |      |
|                   | 2.75 m STD – Front dozer – rear stabilizer – lowered |                 |                |                | *8400           | *8400          | *8400          | *6350           | *6350          | *6350          | *5300           | *5300          | 4500           | *3100   | *3100          | *3100          |      |
| 1500 mm           | Free on Wheels                                       |                 |                |                | 7950            | 7150           | 5450           | 5250            | 4750           | 3750           | 3800            | 3500           | 2750           | 3050  | 2800           | 2200           | 8660 |
|                   | 2.75 m MH – 2 sets stabilizers – lowered             |                 |                |                | *9650           | *9650          | *9650          | *6950           | *6950          | *6950          | *5550           | *5550          | *5550          | *3300   | *3300          | *3300          |      |
|                   | 2.99 m MH – 2 sets stabilizers – lowered             |                 |                |                | *9650           | *9650          | *9650          | *6950           | *6950          | *6950          | *5550           | *5550          | *5550          | *3300   | *3300          | *3300          |      |
|                   | 2.75 m STD – Front stabilizer – rear dozer – lowered |                 |                |                | *9650           | *9650          | 9050           | *6950           | *6950          | 5900           | *5550           | *5550          | 4300           | *3300   | *3300          | *3300          |      |
|                   | 2.75 m STD – Front dozer – rear stabilizer – lowered |                 |                |                | *9650           | *9650          | 9350           | *6950           | *6950          | 6100           | *5550           | *5550          | 4400           | *3300   | *3300          | *3300          |      |
| 0 mm              | Free on Wheels                                       |                 |                |                | 7650            | 6850           | 5200           | 5050            | 4600           | 3550           | 3700            | 3400           | 2650           | 3100  | 2850           | 2250           | 8470 |
|                   | 2.75 m MH – 2 sets stabilizers – lowered             |                 |                |                | *9950           | *9950          | *9950          | *7200           | *7200          | *7200          | *5600           | *5600          | *5600          | *3650   | *3650          | *3650          |      |
|                   | 2.99 m MH – 2 sets stabilizers – lowered             |                 |                |                | *9950           | *9950          | *9950          | *7200           | *7200          | *7200          | *5600           | *5600          | *5600          | *3650   | *3650          | *3650          |      |
|                   | 2.75 m STD – Front stabilizer – rear dozer – lowered |                 |                |                | *9950           | *9950          | 8750           | *7200           | *7200          | 5700           | *5600           | *5600          | 4200           | *3650   | *3650          | 3550           |      |
|                   | 2.75 m STD – Front dozer – rear stabilizer – lowered |                 |                |                | *9950           | *9950          | 9050           | *7200           | *7200          | 5900           | *5600           | *5600          | 4300           | *3650   | *3650          | *3650          |      |
| ~1500 mm          | Free on Wheels                                       | *8250           | *8250          | *8250          | 7550            | 6900           | 5150           | 4950            | 4500           | 3500           | 3650            | 3350           | 2600           | 3400  | 3100           | 2400           | 7990 |
|                   | 2.75 m MH – 2 sets stabilizers – lowered             | *8250           | *8250          | *8250          | *9350           | *9350          | *9350          | *6900           | *6900          | *6900          | *5200           | *5200          | *5200          | *4250   | *4250          | *4250          |      |
|                   | 2.99 m MH – 2 sets stabilizers – lowered             | *8250           | *8250          | *8250          | *9350           | *9350          | *9350          | *6900           | *6900          | *6900          | *5200           | *5200          | *5200          | *4250   | *4250          | *4250          |      |
|                   | 2.75 m STD – Front stabilizer – rear dozer – lowered | *8250           | *8250          | *8250          | *9350           | *9350          | 8650           | *6900           | *6900          | 5650           | *5200           | *5200          | 4150           | *4250   | *4250          | 3850           |      |
|                   | 2.75 m STD – Front dozer – rear stabilizer – lowered | *8250           | *8250          | *8250          | *9350           | *9350          | 8950           | *6900           | *6900          | 5800           | *5200           | *5200          | 4250           | *4250   | *4250          | 3900           |      |
| ~3000 mm          | Free on Wheels                                       | *10 600         | *10 600        | 9650           | 7650            | 6850           | 5200           | 5000            | 4550           | 3500           |                 |                |                | 3950  | 3650           | 2850           | 7150 |
|                   | 2.75 m MH – 2 sets stabilizers – lowered             | *10 600         | *10 600        | *10 600        | *8000           | *8000          | *8000          | *5950           | *5950          | *5950          |                 |                |                | *4400   | *4400          | *4400          |      |
|                   | 2.99 m MH – 2 sets stabilizers – lowered             | *10 600         | *10 600        | *10 600        | *8000           | *8000          | *8000          | *5950           | *5950          | *5950          |                 |                |                | *4400   | *4400          | *4400          |      |
|                   | 2.75 m STD – Front stabilizer – rear dozer – lowered | *10 600         | *10 600        | *10 600        | *8000           | *8000          | *8000          | *5950           | *5950          | 5650           |                 |                |                | *4400   | *4400          | *4400          |      |
|                   | 2.75 m STD – Front dozer – rear stabilizer – lowered | *10 600         | *10 600        | *10 600        | *8000           | *8000          | *8000          | *5950           | *5950          | 5850           |                 |                |                | *4400   | *4400          | *4400          |      |
| ~4500 mm          | Free on Wheels                                       |                 |                |                | *5450           | *5450          | *5450          |                 |                |                |                 |                |                | *3650   | *3650          | *3650          | 5790 |
|                   | 2.75 m MH – 2 sets stabilizers – lowered             |                 |                |                | *5450           | *5450          | *5450          |                 |                |                |                 |                |                | *3650   | *3650          | *3650          |      |
|                   | 2.99 m MH – 2 sets stabilizers – lowered             |                 |                |                | *5450           | *5450          | *5450          |                 |                |                |                 |                |                | *3650   | *3650          | *3650          |      |
|                   | 2.75 m STD – Front stabilizer – rear dozer – lowered |                 |                |                | *5450           | *5450          | *5450          |                 |                |                |                 |                |                | *3650   | *3650          | *3650          |      |
|                   | 2.75 m STD – Front dozer – rear stabilizer – lowered |                 |                |                | *5450           | *5450          | *5450          |                 |                |                |                 |                |                | *3650   | *3650          | *3650          |      |

\*Limited by hydraulic rather than tipping load.

Lift capacity ratings are based on ISO 10567:2007, they do not exceed 87% of hydraulic lifting capacity or 75% of tipping load. The load point is the center line of the bucket pivot mounting pin on the stick. The oscillating axle must be locked. Lifting capacities are based on the machine standing on a firm uniform supporting surface. For lifting capacity including bucket and/or quick coupler, the respective weight has to be subtracted from above values. The use of a work tool attachment point to handle/lift objects, could affect the machine lift performance. Lift capacity is calculated with VA cylinder completely extracted.

Always refer to the appropriate Operation and Maintenance Manual for specific product information.

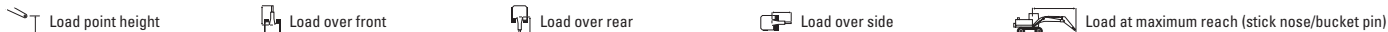




# MH3024 Material Handler Specifications

## Lift Capacities

All values are in kg, work tool: none, hydraulic cab rise, pneumatic tires, bucket cylinder and bucket linkage installed, with counterweight (4200 kg), heavy lift on.



### Undercarriage

2.75 m (MH or STD) or 2.99 m (MH)

### Boom

5.26 m (VA)

### Stick

2.5 m (Straight)

| Stick<br>mm | Undercarriage configuration                          | 3000 mm           |                 |                | 4500 mm           |                 |                | 6000 mm           |                 |                | 7500 mm           |                 |                | mm    |       |       |
|-------------|--|-------------------|-----------------|----------------|-------------------|-----------------|----------------|-------------------|-----------------|----------------|-------------------|-----------------|----------------|-------|-------|-------|
|             |  | Load point height | Load over front | Load over rear | Load point height | Load over front | Load over rear | Load point height | Load over front | Load over rear | Load point height | Load over front | Load over rear |       |       |       |
| 7500 mm     | Free on Wheels                                       |                   |                 |                | *5800             | *5800           | *5800          |                   |                 |                |                   |                 |                | *3700 | *3700 | *3700 |
|             | 2.75 m MH – 2 sets stabilizers – lowered             |                   |                 |                | *5800             | *5800           | *5800          |                   |                 |                |                   |                 |                | *3700 | *3700 | *3700 |
|             | 2.99 m MH – 2 sets stabilizers – lowered             |                   |                 |                | *5800             | *5800           | *5800          |                   |                 |                |                   |                 |                | *3700 | *3700 | *3700 |
|             | 2.75 m STD – Front stabilizer – rear dozer – lowered |                   |                 |                | *5800             | *5800           | *5800          |                   |                 |                |                   |                 |                | *3700 | *3700 | *3700 |
|             | 2.75 m STD – Front dozer – rear stabilizer – lowered |                   |                 |                | *5800             | *5800           | *5800          |                   |                 |                |                   |                 |                | *3700 | *3700 | *3700 |
| 6000 mm     | Free on Wheels                                       |                   |                 |                | *6200             | *6200           | 6150           | *5500             | *5500           | 4300           |                   |                 |                | *3250 | *3250 | *3250 |
|             | 2.75 m MH – 2 sets stabilizers – lowered             |                   |                 |                | *6200             | *6200           | *6200          | *5500             | *5500           | *5500          |                   |                 |                | *3250 | *3250 | *3250 |
|             | 2.99 m MH – 2 sets stabilizers – lowered             |                   |                 |                | *6200             | *6200           | *6200          | *5500             | *5500           | *5500          |                   |                 |                | *3250 | *3250 | *3250 |
|             | 2.75 m STD – Front stabilizer – rear dozer – lowered |                   |                 |                | *6200             | *6200           | *6200          | *5500             | *5500           | *5500          |                   |                 |                | *3250 | *3250 | *3250 |
|             | 2.75 m STD – Front dozer – rear stabilizer – lowered |                   |                 |                | *6200             | *6200           | *6200          | *5500             | *5500           | *5500          |                   |                 |                | *3250 | *3250 | *3250 |
| 4500 mm     | Free on Wheels                                       |                   |                 |                | *7150             | *7150           | 6600           | 5850              | 5350            | 4250           |                   |                 |                | *3100 | *3100 | 2950  |
|             | 2.75 m MH – 2 sets stabilizers – lowered             |                   |                 |                | *7150             | *7150           | *7150          | *6000             | *6000           | *6000          |                   |                 |                | *3100 | *3100 | *3100 |
|             | 2.99 m MH – 2 sets stabilizers – lowered             |                   |                 |                | *7150             | *7150           | *7150          | *6000             | *6000           | *6000          |                   |                 |                | *3100 | *3100 | *3100 |
|             | 2.75 m STD – Front stabilizer – rear dozer – lowered |                   |                 |                | *7150             | *7150           | *7150          | *6000             | *6000           | *6000          |                   |                 |                | *3100 | *3100 | *3100 |
|             | 2.75 m STD – Front dozer – rear stabilizer – lowered |                   |                 |                | *7150             | *7150           | *7150          | *6000             | *6000           | *6000          |                   |                 |                | *3100 | *3100 | *3100 |
| 3000 mm     | Free on Wheels                                       |                   |                 |                | *8600             | 7800            | 6050           | *6500             | 5150            | 4050           | 4000              | 3700            | 2850           | *3100 | *3100 | 2650  |
|             | 2.75 m MH – 2 sets stabilizers – lowered             |                   |                 |                | *8600             | *8600           | *8600          | *6550             | *6550           | *6550          | *5350             | *5350           | *5350          | *3100 | *3100 | *3100 |
|             | 2.99 m MH – 2 sets stabilizers – lowered             |                   |                 |                | *8600             | *8600           | *8600          | *6550             | *6550           | *6550          | *5350             | *5350           | *5350          | *3100 | *3100 | *3100 |
|             | 2.75 m STD – Front stabilizer – rear dozer – lowered |                   |                 |                | *8600             | *8600           | *8600          | *6550             | *6550           | 6350           | *5350             | *5350           | 4500           | *3100 | *3100 | *3100 |
|             | 2.75 m STD – Front dozer – rear stabilizer – lowered |                   |                 |                | *8600             | *8600           | *8600          | *6550             | *6550           | 6450           | *5350             | *5350           | 4600           | *3100 | *3100 | *3100 |
| 1500 mm     | Free on Wheels                                       |                   |                 |                | 8150              | 7300            | 5600           | 5350              | 4900            | 3850           | 3900              | 3600            | 2750           | *3300 | *3300 | 2550  |
|             | 2.75 m MH – 2 sets stabilizers – lowered             |                   |                 |                | *9800             | *9800           | *9800          | *7100             | *7100           | *7100          | *5650             | *5650           | *5650          | *3300 | *3300 | *3300 |
|             | 2.99 m MH – 2 sets stabilizers – lowered             |                   |                 |                | *9800             | *9800           | *9800          | *7100             | *7100           | *7100          | *5650             | *5650           | *5650          | *3300 | *3300 | *3300 |
|             | 2.75 m STD – Front stabilizer – rear dozer – lowered |                   |                 |                | *9800             | *9800           | 9200           | *7100             | *7100           | 6050           | *5650             | *5650           | 4400           | *3300 | *3300 | *3300 |
|             | 2.75 m STD – Front dozer – rear stabilizer – lowered |                   |                 |                | *9800             | *9800           | 9550           | *7100             | *7100           | 6250           | *5650             | *5650           | 4550           | *3300 | *3300 | *3300 |
| 0 mm        | Free on Wheels                                       |                   |                 |                | 7850              | 7050            | 5350           | 5200              | 4750            | 3700           | 3850              | 3500            | 2750           | *3650 | 3350  | 2600  |
|             | 2.75 m MH – 2 sets stabilizers – lowered             |                   |                 |                | *10 000           | *10 000         | *10 000        | *7250             | *7250           | *7250          | *5500             | *5500           | *5500          | *3650 | *3650 | *3650 |
|             | 2.99 m MH – 2 sets stabilizers – lowered             |                   |                 |                | *10 000           | *10 000         | *10 000        | *7250             | *7250           | *7250          | *5500             | *5500           | *5500          | *3650 | *3650 | *3650 |
|             | 2.75 m STD – Front stabilizer – rear dozer – lowered |                   |                 |                | *10 000           | *10 000         | 8950           | *7250             | *7250           | 5900           | *5500             | *5500           | 4300           | *3650 | *3650 | 3650  |
|             | 2.75 m STD – Front dozer – rear stabilizer – lowered |                   |                 |                | *10 000           | *10 000         | 9300           | *7250             | *7250           | 6050           | *5500             | *5500           | 4400           | *3650 | *3650 | *3650 |
| -1500 mm    | Free on Wheels                                       | *9300             | *9300           | 9000           | 7800              | 7000            | 5300           | 5200              | 4700            | 3650           |                   |                 |                | 4000  | 3700  | 2900  |
|             | 2.75 m MH – 2 sets stabilizers – lowered             | *9300             | *9300           | *9300          | *9250             | *9250           | *9250          | *6800             | *6800           | *6800          |                   |                 |                | *4350 | *4350 | *4350 |
|             | 2.99 m MH – 2 sets stabilizers – lowered             | *9300             | *9300           | *9300          | *9250             | *9250           | *9250          | *6800             | *6800           | *6800          |                   |                 |                | *4350 | *4350 | *4350 |
|             | 2.75 m STD – Front stabilizer – rear dozer – lowered | *9300             | *9300           | *9300          | *9250             | *9250           | 8900           | *6800             | *6800           | 5900           |                   |                 |                | *4350 | *4350 | *4350 |
|             | 2.75 m STD – Front dozer – rear stabilizer – lowered | *9300             | *9300           | *9300          | *9250             | *9250           | *9250          | *6800             | *6800           | 6000           |                   |                 |                | *4350 | *4350 | *4350 |
| -3000 mm    | Free on Wheels                                       |                   |                 |                | *7450             | 7050            | 5450           | *5150             | 4750            | 3750           |                   |                 |                | *4650 | 4550  | 3500  |
|             | 2.75 m MH – 2 sets stabilizers – lowered             |                   |                 |                | *7450             | *7450           | *7450          | *5150             | *5150           | *5150          |                   |                 |                | *4650 | *4650 | *4650 |
|             | 2.99 m MH – 2 sets stabilizers – lowered             |                   |                 |                | *7450             | *7450           | *7450          | *5150             | *5150           | *5150          |                   |                 |                | *4650 | *4650 | *4650 |
|             | 2.75 m STD – Front stabilizer – rear dozer – lowered |                   |                 |                | *7450             | *7450           | *7450          | *5150             | *5150           | *5150          |                   |                 |                | *4650 | *4650 | *4650 |
|             | 2.75 m STD – Front dozer – rear stabilizer – lowered |                   |                 |                | *7450             | *7450           | *7450          | *5150             | *5150           | *5150          |                   |                 |                | *4650 | *4650 | *4650 |

\*Limited by hydraulic rather than tipping load.

Lift capacity ratings are based on ISO 10567:2007, they do not exceed 87% of hydraulic lifting capacity or 75% of tipping load. The load point is the center line of the bucket pivot mounting pin on the stick. The oscillating axle must be locked. Lifting capacities are based on the machine standing on a firm uniform supporting surface. For lift capacity including bucket and/or quick coupler, the respective weight has to be subtracted from above values. The use of a work tool attachment point to handle/lift objects, could affect the machine lift performance. Lift capacity is calculated with VA cylinder completely extracted.

Always refer to the appropriate Operation and Maintenance Manual for specific product information.

# MH3024 Material Handler Specifications

## Lift Capacities

All values are in lb, work tool: none, hydraulic cab rise, pneumatic tires, bucket cylinder and bucket linkage installed, with counterweight (9,260 lb), heavy lift on.



### Undercarriage

9'0" (MH or STD) or 9'10" (MH)

### Boom

17'3" (VA)

### Stick

8'2" (Straight)

| Load Point | Undercarriage configuration                        | 10 ft           |                |                | 15 ft           |                |                | 20 ft           |                |                | 25 ft           |                |                | Load at maximum reach (stick nose/bucket pin) |                |                | ft      |       |
|------------|--|-----------------|----------------|----------------|-----------------|----------------|----------------|-----------------|----------------|----------------|-----------------|----------------|----------------|---|----------------|----------------|---------|-------|
|            |  | Load over front | Load over rear | Load over side | Load over front | Load over rear | Load over side | Load over front | Load over rear | Load over side | Load over front | Load over rear | Load over side | Load over front                               | Load over rear | Load over side |         |       |
| 25 ft      | Free on Wheels                                     |                 |                |                | *12,300         | *12,300        | *12,300        |                 |                |                |                 |                |                |   | *8,300         | *8,300         | *8,300  | 17.03 |
|            | 9'0" MH – 2 sets stabilizers – lowered             |                 |                |                | *12,300         | *12,300        | *12,300        |                 |                |                |                 |                |                |   | *8,300         | *8,300         | *8,300  |       |
|            | 9'10" MH – 2 sets stabilizers – lowered            |                 |                |                | *12,300         | *12,300        | *12,300        |                 |                |                |                 |                |                |   | *8,300         | *8,300         | *8,300  |       |
|            | 9'0" STD – Front stabilizer – rear dozer – lowered |                 |                |                | *12,300         | *12,300        | *12,300        |                 |                |                |                 |                |                |   | *8,300         | *8,300         | *8,300  |       |
|            | 9'0" STD – Front dozer – rear stabilizer – lowered |                 |                |                | *12,300         | *12,300        | *12,300        |                 |                |                |                 |                |                |   | *8,300         | *8,300         | *8,300  |       |
| 20 ft      | Free on Wheels                                     |                 |                |                | *13,500         | *13,500        | *13,500        | *11,500         | *11,500        | 9,200          |                 |                |                |   | *7,200         | *7,200         | *7,200  | 21.62 |
|            | 9'0" MH – 2 sets stabilizers – lowered             |                 |                |                | *13,500         | *13,500        | *13,500        | *11,500         | *11,500        | *11,500        |                 |                |                |   | *7,200         | *7,200         | *7,200  |       |
|            | 9'10" MH – 2 sets stabilizers – lowered            |                 |                |                | *13,500         | *13,500        | *13,500        | *11,500         | *11,500        | *11,500        |                 |                |                |   | *7,200         | *7,200         | *7,200  |       |
|            | 9'0" STD – Front stabilizer – rear dozer – lowered |                 |                |                | *13,500         | *13,500        | *13,500        | *11,500         | *11,500        | *11,500        |                 |                |                |   | *7,200         | *7,200         | *7,200  |       |
|            | 9'0" STD – Front dozer – rear stabilizer – lowered |                 |                |                | *13,500         | *13,500        | *13,500        | *11,500         | *11,500        | *11,500        |                 |                |                |   | *7,200         | *7,200         | *7,200  |       |
| 15 ft      | Free on Wheels                                     |                 |                |                | *15,400         | *15,400        | 14,000         | 12,400          | 11,300         | 9,000          |                 |                |                |   | *6,800         | *6,800         | 6,500   | 24.31 |
|            | 9'0" MH – 2 sets stabilizers – lowered             |                 |                |                | *15,400         | *15,400        | *15,400        | *13,000         | *13,000        | *13,000        |                 |                |                |   | *6,800         | *6,800         | *6,800  |       |
|            | 9'10" MH – 2 sets stabilizers – lowered            |                 |                |                | *15,400         | *15,400        | *15,400        | *13,000         | *13,000        | *13,000        |                 |                |                |   | *6,800         | *6,800         | *6,800  |       |
|            | 9'0" STD – Front stabilizer – rear dozer – lowered |                 |                |                | *15,400         | *15,400        | *15,400        | *13,000         | *13,000        | *13,000        |                 |                |                |   | *6,800         | *6,800         | *6,800  |       |
|            | 9'0" STD – Front dozer – rear stabilizer – lowered |                 |                |                | *15,400         | *15,400        | *15,400        | *13,000         | *13,000        | *13,000        |                 |                |                |   | *6,800         | *6,800         | *6,800  |       |
| 10 ft      | Free on Wheels                                     |                 |                |                | 18,600          | 16,700         | 13,000         | 11,900          | 10,900         | 8,600          | 8,400           | 7,700          | 6,100          |   | *6,900         | *6,900         | 5,800   | 25.69 |
|            | 9'0" MH – 2 sets stabilizers – lowered             |                 |                |                | *18,600         | *18,600        | *18,600        | *14,300         | *14,300        | *14,300        | *10,300         | *10,300        | *10,300        |   | *6,900         | *6,900         | *6,900  |       |
|            | 9'10" MH – 2 sets stabilizers – lowered            |                 |                |                | *18,600         | *18,600        | *18,600        | *14,300         | *14,300        | *14,300        | *10,300         | *10,300        | *10,300        |   | *6,900         | *6,900         | *6,900  |       |
|            | 9'0" STD – Front stabilizer – rear dozer – lowered |                 |                |                | *18,600         | *18,600        | *18,600        | *14,300         | *14,300        | 13,400         | *10,300         | *10,300        | 9,500          |   | *6,900         | *6,900         | *6,900  |       |
|            | 9'0" STD – Front dozer – rear stabilizer – lowered |                 |                |                | *18,600         | *18,600        | *18,600        | *14,300         | *14,300        | 13,800         | *10,300         | *10,300        | 9,700          |   | *6,900         | *6,900         | *6,900  |       |
| 5 ft       | Free on Wheels                                     |                 |                |                | 17,400          | 15,600         | 12,000         | 11,400          | 10,400         | 8,100          | 8,200           | 7,500          | 5,900          |   | *7,200         | *7,100         | 5,500   | 26.02 |
|            | 9'0" MH – 2 sets stabilizers – lowered             |                 |                |                | *21,200         | *21,200        | *21,200        | *15,400         | *15,400        | *15,400        | *12,300         | *12,300        | *12,300        |   | *7,200         | *7,200         | *7,200  |       |
|            | 9'10" MH – 2 sets stabilizers – lowered            |                 |                |                | *21,200         | *21,200        | *21,200        | *15,400         | *15,400        | *15,400        | *12,300         | *12,300        | *12,300        |   | *7,200         | *7,200         | *7,200  |       |
|            | 9'0" STD – Front stabilizer – rear dozer – lowered |                 |                |                | *21,200         | *21,200        | 19,700         | *15,400         | *15,400        | 12,900         | *12,300         | *12,300        | 9,300          |   | *7,200         | *7,200         | *7,200  |       |
|            | 9'0" STD – Front dozer – rear stabilizer – lowered |                 |                |                | *21,200         | *21,200        | 20,500         | *15,400         | *15,400        | 13,200         | *12,300         | *12,300        | 9,500          |   | *7,200         | *7,200         | *7,200  |       |
| 0 ft       | Free on Wheels                                     |                 |                |                | 16,800          | 15,000         | 11,400         | 11,000          | 10,000         | 7,800          | 8,100           | 7,400          | 5,700          |   | 7,900          | 7,300          | 5,600   | 25.36 |
|            | 9'0" MH – 2 sets stabilizers – lowered             |                 |                |                | *21,700         | *21,700        | *21,700        | *15,700         | *15,700        | *15,700        | *10,700         | *10,700        | *10,700        |   | *8,000         | *8,000         | *8,000  |       |
|            | 9'10" MH – 2 sets stabilizers – lowered            |                 |                |                | *21,700         | *21,700        | *21,700        | *15,700         | *15,700        | *15,700        | *10,700         | *10,700        | *10,700        |   | *8,000         | *8,000         | *8,000  |       |
|            | 9'0" STD – Front stabilizer – rear dozer – lowered |                 |                |                | *21,700         | *21,700        | 19,100         | *15,700         | *15,700        | 12,500         | *10,700         | *10,700        | 9,100          |   | *8,000         | *8,000         | *8,000  |       |
|            | 9'0" STD – Front dozer – rear stabilizer – lowered |                 |                |                | *21,700         | *21,700        | 19,800         | *15,700         | *15,700        | 12,900         | *10,700         | *10,700        | 9,400          |   | *8,000         | *8,000         | *8,000  |       |
| -5 ft      | Free on Wheels                                     | *21,200         | *21,200        | 20,800         | 16,600          | 14,900         | 11,300         | 10,900          | 9,900          | 7,700          |                 |                |                |   | 8,800          | 8,000          | 6,200   | 23.56 |
|            | 9'0" MH – 2 sets stabilizers – lowered             | *21,200         | *21,200        | *21,200        | *20,000         | *20,000        | *20,000        | *14,600         | *14,600        | *14,600        |                 |                |                |   | *9,600         | *9,600         | *9,600  |       |
|            | 9'10" MH – 2 sets stabilizers – lowered            | *21,200         | *21,200        | *21,200        | *20,000         | *20,000        | *20,000        | *14,600         | *14,600        | *14,600        |                 |                |                |   | *9,600         | *9,600         | *9,600  |       |
|            | 9'0" STD – Front stabilizer – rear dozer – lowered | *21,200         | *21,200        | *21,200        | *20,000         | *20,000        | 19,000         | *14,600         | *14,600        | 12,400         |                 |                |                |   | *9,600         | *9,600         | *9,600  |       |
|            | 9'0" STD – Front dozer – rear stabilizer – lowered | *21,200         | *21,200        | *21,200        | *20,000         | *20,000        | 19,700         | *14,600         | *14,600        | 12,800         |                 |                |                |   | *9,600         | *9,600         | *9,600  |       |
| -10 ft     | Free on Wheels                                     |                 |                |                | *16,100         | 15,100         | 11,500         | *10,800         | 10,100         | 7,900          |                 |                |                |   | *10,200        | 10,000         | 7,800   | 20.34 |
|            | 9'0" MH – 2 sets stabilizers – lowered             |                 |                |                | *16,100         | *16,100        | *16,100        | *10,800         | *10,800        | *10,800        |                 |                |                |   | *10,200        | *10,200        | *10,200 |       |
|            | 9'10" MH – 2 sets stabilizers – lowered            |                 |                |                | *16,100         | *16,100        | *16,100        | *10,800         | *10,800        | *10,800        |                 |                |                |   | *10,200        | *10,200        | *10,200 |       |
|            | 9'0" STD – Front stabilizer – rear dozer – lowered |                 |                |                | *16,100         | *16,100        | *16,100        | *10,800         | *10,800        | *10,800        |                 |                |                |   | *10,200        | *10,200        | *10,200 |       |
|            | 9'0" STD – Front dozer – rear stabilizer – lowered |                 |                |                | *16,100         | *16,100        | *16,100        | *10,800         | *10,800        | *10,800        |                 |                |                |   | *10,200        | *10,200        | *10,200 |       |

\*Limited by hydraulic rather than tipping load.

Lift capacity ratings are based on ISO 10567:2007, they do not exceed 87% of hydraulic lifting capacity or 75% of tipping load. The load point is the center line of the bucket pivot mounting pin on the stick. The oscillating axle must be locked. Lifting capacities are based on the machine standing on a firm uniform supporting surface. For lifting capacity including bucket and/or quick coupler, the respective weight has to be subtracted from above values. The use of a work tool attachment point to handle/lift objects, could affect the machine lift performance. Lift capacity is calculated with VA cylinder completely extracted.

Always refer to the appropriate Operation and Maintenance Manual for specific product information.

# MH3024 Material Handler Specifications

## Lift Capacities

All values are in kg, work tool: none, hydraulic cab rise, pneumatic tires, bucket cylinder and bucket linkage installed, with counterweight (4200 kg), heavy lift on.



### Undercarriage

2.75 m (MH or STD) or 2.99 m (MH)

### Boom

5.26 m (VA)

### Stick

2.9 m (Straight)

| Stick    | Undercarriage configuration                          | 3000 mm           |                 |                | 4500 mm         |                |                | 6000 mm           |                 |                | 7500 mm         |                |                | mm  |   |   |  |  |  |  |  |  |  |  |  |
|----------|--|-------------------|-----------------|----------------|-----------------|----------------|----------------|-------------------|-----------------|----------------|-----------------|----------------|----------------|---|---|---|--|--|--|--|--|--|--|--|--|
|          |  | Load point height | Load over front | Load over rear | Load over front | Load over rear | Load over side | Load point height | Load over front | Load over rear | Load over front | Load over rear | Load over side | Load at maximum reach (stick nose/bucket pin) | Load at maximum reach (stick nose/bucket pin) | Load at maximum reach (stick nose/bucket pin) |  |  |  |  |  |  |  |  |  |
| 7500 mm  | Free on Wheels                                       |                   |                 |                |                 |                |                |                   |                 |                |                 |                |                |   |   |   |  |  |  |  |  |  |  |  |  |
|          | 2.75 m MH – 2 sets stabilizers – lowered             |                   |                 |                |                 |                |                |                   |                 |                |                 |                |                |   |   |   |  |  |  |  |  |  |  |  |  |
|          | 2.99 m MH – 2 sets stabilizers – lowered             |                   |                 |                |                 |                |                |                   |                 |                |                 |                |                |   |   |   |  |  |  |  |  |  |  |  |  |
|          | 2.75 m STD – Front stabilizer – rear dozer – lowered |                   |                 |                |                 |                |                |                   |                 |                |                 |                |                |   |   |   |  |  |  |  |  |  |  |  |  |
|          | 2.75 m STD – Front dozer – rear stabilizer – lowered |                   |                 |                |                 |                |                |                   |                 |                |                 |                |                |   |   |   |  |  |  |  |  |  |  |  |  |
| 6000 mm  | Free on Wheels                                       |                   |                 |                |                 |                |                |                   |                 |                |                 |                |                |   |   |   |  |  |  |  |  |  |  |  |  |
|          | 2.75 m MH – 2 sets stabilizers – lowered             |                   |                 |                |                 |                |                |                   |                 |                |                 |                |                |   |   |   |  |  |  |  |  |  |  |  |  |
|          | 2.99 m MH – 2 sets stabilizers – lowered             |                   |                 |                |                 |                |                |                   |                 |                |                 |                |                |   |   |   |  |  |  |  |  |  |  |  |  |
|          | 2.75 m STD – Front stabilizer – rear dozer – lowered |                   |                 |                |                 |                |                |                   |                 |                |                 |                |                |   |   |   |  |  |  |  |  |  |  |  |  |
|          | 2.75 m STD – Front dozer – rear stabilizer – lowered |                   |                 |                |                 |                |                |                   |                 |                |                 |                |                |   |   |   |  |  |  |  |  |  |  |  |  |
| 4500 mm  | Free on Wheels                                       |                   |                 |                |                 |                |                |                   |                 |                |                 |                |                |   |   |   |  |  |  |  |  |  |  |  |  |
|          | 2.75 m MH – 2 sets stabilizers – lowered             |                   |                 |                |                 |                |                |                   |                 |                |                 |                |                |   |   |   |  |  |  |  |  |  |  |  |  |
|          | 2.99 m MH – 2 sets stabilizers – lowered             |                   |                 |                |                 |                |                |                   |                 |                |                 |                |                |   |   |   |  |  |  |  |  |  |  |  |  |
|          | 2.75 m STD – Front stabilizer – rear dozer – lowered |                   |                 |                |                 |                |                |                   |                 |                |                 |                |                |   |   |   |  |  |  |  |  |  |  |  |  |
|          | 2.75 m STD – Front dozer – rear stabilizer – lowered |                   |                 |                |                 |                |                |                   |                 |                |                 |                |                |   |   |   |  |  |  |  |  |  |  |  |  |
| 3000 mm  | Free on Wheels                                       |                   |                 |                |                 |                |                |                   |                 |                |                 |                |                |   |   |   |  |  |  |  |  |  |  |  |  |
|          | 2.75 m MH – 2 sets stabilizers – lowered             |                   |                 |                |                 |                |                |                   |                 |                |                 |                |                |   |   |   |  |  |  |  |  |  |  |  |  |
|          | 2.99 m MH – 2 sets stabilizers – lowered             |                   |                 |                |                 |                |                |                   |                 |                |                 |                |                |   |   |   |  |  |  |  |  |  |  |  |  |
|          | 2.75 m STD – Front stabilizer – rear dozer – lowered |                   |                 |                |                 |                |                |                   |                 |                |                 |                |                |   |   |   |  |  |  |  |  |  |  |  |  |
|          | 2.75 m STD – Front dozer – rear stabilizer – lowered |                   |                 |                |                 |                |                |                   |                 |                |                 |                |                |   |   |   |  |  |  |  |  |  |  |  |  |
| 1500 mm  | Free on Wheels                                       |                   |                 |                |                 |                |                |                   |                 |                |                 |                |                |   |   |   |  |  |  |  |  |  |  |  |  |
|          | 2.75 m MH – 2 sets stabilizers – lowered             |                   |                 |                |                 |                |                |                   |                 |                |                 |                |                |   |   |   |  |  |  |  |  |  |  |  |  |
|          | 2.99 m MH – 2 sets stabilizers – lowered             |                   |                 |                |                 |                |                |                   |                 |                |                 |                |                |   |   |   |  |  |  |  |  |  |  |  |  |
|          | 2.75 m STD – Front stabilizer – rear dozer – lowered |                   |                 |                |                 |                |                |                   |                 |                |                 |                |                |   |   |   |  |  |  |  |  |  |  |  |  |
|          | 2.75 m STD – Front dozer – rear stabilizer – lowered |                   |                 |                |                 |                |                |                   |                 |                |                 |                |                |   |   |   |  |  |  |  |  |  |  |  |  |
| 0 mm     | Free on Wheels                                       |                   |                 |                |                 |                |                |                   |                 |                |                 |                |                |   |   |   |  |  |  |  |  |  |  |  |  |
|          | 2.75 m MH – 2 sets stabilizers – lowered             |                   |                 |                |                 |                |                |                   |                 |                |                 |                |                |   |   |   |  |  |  |  |  |  |  |  |  |
|          | 2.99 m MH – 2 sets stabilizers – lowered             |                   |                 |                |                 |                |                |                   |                 |                |                 |                |                |   |   |   |  |  |  |  |  |  |  |  |  |
|          | 2.75 m STD – Front stabilizer – rear dozer – lowered |                   |                 |                |                 |                |                |                   |                 |                |                 |                |                |   |   |   |  |  |  |  |  |  |  |  |  |
|          | 2.75 m STD – Front dozer – rear stabilizer – lowered |                   |                 |                |                 |                |                |                   |                 |                |                 |                |                |   |   |   |  |  |  |  |  |  |  |  |  |
| -1500 mm | Free on Wheels                                       |                   |                 |                |                 |                |                |                   |                 |                |                 |                |                |   |   |   |  |  |  |  |  |  |  |  |  |
|          | 2.75 m MH – 2 sets stabilizers – lowered             |                   |                 |                |                 |                |                |                   |                 |                |                 |                |                |   |   |   |  |  |  |  |  |  |  |  |  |
|          | 2.99 m MH – 2 sets stabilizers – lowered             |                   |                 |                |                 |                |                |                   |                 |                |                 |                |                |   |   |   |  |  |  |  |  |  |  |  |  |
|          | 2.75 m STD – Front stabilizer – rear dozer – lowered |                   |                 |                |                 |                |                |                   |                 |                |                 |                |                |   |   |   |  |  |  |  |  |  |  |  |  |
|          | 2.75 m STD – Front dozer – rear stabilizer – lowered |                   |                 |                |                 |                |                |                   |                 |                |                 |                |                |   |   |   |  |  |  |  |  |  |  |  |  |
| -3000 mm | Free on Wheels                                       |                   |                 |                |                 |                |                |                   |                 |                |                 |                |                |   |   |   |  |  |  |  |  |  |  |  |  |
|          | 2.75 m MH – 2 sets stabilizers – lowered             |                   |                 |                |                 |                |                |                   |                 |                |                 |                |                |   |   |   |  |  |  |  |  |  |  |  |  |
|          | 2.99 m MH – 2 sets stabilizers – lowered             |                   |                 |                |                 |                |                |                   |                 |                |                 |                |                |   |   |   |  |  |  |  |  |  |  |  |  |
|          | 2.75 m STD – Front stabilizer – rear dozer – lowered |                   |                 |                |                 |                |                |                   |                 |                |                 |                |                |   |   |   |  |  |  |  |  |  |  |  |  |
|          | 2.75 m STD – Front dozer – rear stabilizer – lowered |                   |                 |                |                 |                |                |                   |                 |                |                 |                |                |   |   |   |  |  |  |  |  |  |  |  |  |

\*Limited by hydraulic rather than tipping load.

Lift capacity ratings are based on ISO 10567:2007, they do not exceed 87% of hydraulic lifting capacity or 75% of tipping load. The load point is the center line of the bucket pivot mounting pin on the stick. The oscillating axle must be locked. Lifting capacities are based on the machine standing on a firm uniform supporting surface. For lifting capacity including bucket and/or quick coupler, the respective weight has to be subtracted from above values. The use of a work tool attachment point to handle/lift objects, could affect the machine lift performance. Lift capacity is calculated with VA cylinder completely extracted.

Always refer to the appropriate Operation and Maintenance Manual for specific product information.

# MH3024 Material Handler Specifications

## Lift Capacities

All values are in lb, work tool: none, hydraulic cab rise, pneumatic tires, bucket cylinder and bucket linkage installed, with counterweight (9,260 lb), heavy lift on.



**Undercarriage**  
9'0" (MH or STD) or 9'10" (MH)

**Boom**  
17'3" (VA)

**Stick**  
9'6" (Straight)

| Load Point | Undercarriage configuration                        | 10 ft           |                |                | 15 ft           |                |                | 20 ft           |                |                | 25 ft           |                |                | ft  |    |  |  |  |  |  |  |  |  |
|------------|--|-----------------|----------------|----------------|-----------------|----------------|----------------|-----------------|----------------|----------------|-----------------|----------------|----------------|---|----|--|--|--|--|--|--|--|--|
|            |  | Load over front | Load over rear | Load over side | Load over front | Load over rear | Load over side | Load over front | Load over rear | Load over side | Load over front | Load over rear | Load over side | Load at maximum reach (stick nose/bucket pin) | ft |  |  |  |  |  |  |  |  |
| 25 ft      | Free on Wheels                                     |                 |                |                |                 |                |                |                 |                |                |                 |                |                |   |    |  |  |  |  |  |  |  |  |
|            | 9'0" MH – 2 sets stabilizers – lowered             |                 |                |                |                 |                |                |                 |                |                |                 |                |                |   |    |  |  |  |  |  |  |  |  |
|            | 9'10" MH – 2 sets stabilizers – lowered            |                 |                |                |                 |                |                |                 |                |                |                 |                |                |   |    |  |  |  |  |  |  |  |  |
|            | 9'0" STD – Front stabilizer – rear dozer – lowered |                 |                |                |                 |                |                |                 |                |                |                 |                |                |   |    |  |  |  |  |  |  |  |  |
|            | 9'0" STD – Front dozer – rear stabilizer – lowered |                 |                |                |                 |                |                |                 |                |                |                 |                |                |   |    |  |  |  |  |  |  |  |  |
| 20 ft      | Free on Wheels                                     |                 |                |                |                 |                |                |                 |                |                |                 |                |                |   |    |  |  |  |  |  |  |  |  |
|            | 9'0" MH – 2 sets stabilizers – lowered             |                 |                |                |                 |                |                |                 |                |                |                 |                |                |   |    |  |  |  |  |  |  |  |  |
|            | 9'10" MH – 2 sets stabilizers – lowered            |                 |                |                |                 |                |                |                 |                |                |                 |                |                |   |    |  |  |  |  |  |  |  |  |
|            | 9'0" STD – Front stabilizer – rear dozer – lowered |                 |                |                |                 |                |                |                 |                |                |                 |                |                |   |    |  |  |  |  |  |  |  |  |
|            | 9'0" STD – Front dozer – rear stabilizer – lowered |                 |                |                |                 |                |                |                 |                |                |                 |                |                |   |    |  |  |  |  |  |  |  |  |
| 15 ft      | Free on Wheels                                     |                 |                |                |                 |                |                |                 |                |                |                 |                |                |   |    |  |  |  |  |  |  |  |  |
|            | 9'0" MH – 2 sets stabilizers – lowered             |                 |                |                |                 |                |                |                 |                |                |                 |                |                |   |    |  |  |  |  |  |  |  |  |
|            | 9'10" MH – 2 sets stabilizers – lowered            |                 |                |                |                 |                |                |                 |                |                |                 |                |                |   |    |  |  |  |  |  |  |  |  |
|            | 9'0" STD – Front stabilizer – rear dozer – lowered |                 |                |                |                 |                |                |                 |                |                |                 |                |                |   |    |  |  |  |  |  |  |  |  |
|            | 9'0" STD – Front dozer – rear stabilizer – lowered |                 |                |                |                 |                |                |                 |                |                |                 |                |                |   |    |  |  |  |  |  |  |  |  |
| 10 ft      | Free on Wheels                                     |                 |                |                |                 |                |                |                 |                |                |                 |                |                |   |    |  |  |  |  |  |  |  |  |
|            | 9'0" MH – 2 sets stabilizers – lowered             |                 |                |                |                 |                |                |                 |                |                |                 |                |                |   |    |  |  |  |  |  |  |  |  |
|            | 9'10" MH – 2 sets stabilizers – lowered            |                 |                |                |                 |                |                |                 |                |                |                 |                |                |   |    |  |  |  |  |  |  |  |  |
|            | 9'0" STD – Front stabilizer – rear dozer – lowered |                 |                |                |                 |                |                |                 |                |                |                 |                |                |   |    |  |  |  |  |  |  |  |  |
|            | 9'0" STD – Front dozer – rear stabilizer – lowered |                 |                |                |                 |                |                |                 |                |                |                 |                |                |   |    |  |  |  |  |  |  |  |  |
| 5 ft       | Free on Wheels                                     |                 |                |                |                 |                |                |                 |                |                |                 |                |                |   |    |  |  |  |  |  |  |  |  |
|            | 9'0" MH – 2 sets stabilizers – lowered             |                 |                |                |                 |                |                |                 |                |                |                 |                |                |   |    |  |  |  |  |  |  |  |  |
|            | 9'10" MH – 2 sets stabilizers – lowered            |                 |                |                |                 |                |                |                 |                |                |                 |                |                |   |    |  |  |  |  |  |  |  |  |
|            | 9'0" STD – Front stabilizer – rear dozer – lowered |                 |                |                |                 |                |                |                 |                |                |                 |                |                |   |    |  |  |  |  |  |  |  |  |
|            | 9'0" STD – Front dozer – rear stabilizer – lowered |                 |                |                |                 |                |                |                 |                |                |                 |                |                |   |    |  |  |  |  |  |  |  |  |
| 0 ft       | Free on Wheels                                     |                 |                |                |                 |                |                |                 |                |                |                 |                |                |   |    |  |  |  |  |  |  |  |  |
|            | 9'0" MH – 2 sets stabilizers – lowered             |                 |                |                |                 |                |                |                 |                |                |                 |                |                |   |    |  |  |  |  |  |  |  |  |
|            | 9'10" MH – 2 sets stabilizers – lowered            |                 |                |                |                 |                |                |                 |                |                |                 |                |                |   |    |  |  |  |  |  |  |  |  |
|            | 9'0" STD – Front stabilizer – rear dozer – lowered |                 |                |                |                 |                |                |                 |                |                |                 |                |                |   |    |  |  |  |  |  |  |  |  |
|            | 9'0" STD – Front dozer – rear stabilizer – lowered |                 |                |                |                 |                |                |                 |                |                |                 |                |                |   |    |  |  |  |  |  |  |  |  |
| -5 ft      | Free on Wheels                                     |                 |                |                |                 |                |                |                 |                |                |                 |                |                |   |    |  |  |  |  |  |  |  |  |
|            | 9'0" MH – 2 sets stabilizers – lowered             |                 |                |                |                 |                |                |                 |                |                |                 |                |                |   |    |  |  |  |  |  |  |  |  |
|            | 9'10" MH – 2 sets stabilizers – lowered            |                 |                |                |                 |                |                |                 |                |                |                 |                |                |   |    |  |  |  |  |  |  |  |  |
|            | 9'0" STD – Front stabilizer – rear dozer – lowered |                 |                |                |                 |                |                |                 |                |                |                 |                |                |   |    |  |  |  |  |  |  |  |  |
|            | 9'0" STD – Front dozer – rear stabilizer – lowered |                 |                |                |                 |                |                |                 |                |                |                 |                |                |   |    |  |  |  |  |  |  |  |  |
| -10 ft     | Free on Wheels                                     |                 |                |                |                 |                |                |                 |                |                |                 |                |                |   |    |  |  |  |  |  |  |  |  |
|            | 9'0" MH – 2 sets stabilizers – lowered             |                 |                |                |                 |                |                |                 |                |                |                 |                |                |   |    |  |  |  |  |  |  |  |  |
|            | 9'10" MH – 2 sets stabilizers – lowered            |                 |                |                |                 |                |                |                 |                |                |                 |                |                |   |    |  |  |  |  |  |  |  |  |
|            | 9'0" STD – Front stabilizer – rear dozer – lowered |                 |                |                |                 |                |                |                 |                |                |                 |                |                |   |    |  |  |  |  |  |  |  |  |

\*Limited by hydraulic rather than tipping load.

Lift capacity ratings are based on ISO 10567:2007, they do not exceed 87% of hydraulic lifting capacity or 75% of tipping load. The load point is the center line of the bucket pivot mounting pin on the stick. The oscillating axle must be locked. Lifting capacities are based on the machine standing on a firm uniform supporting surface. For lifting capacity including bucket and/or quick coupler, the respective weight has to be subtracted from above values. The use of a work tool attachment point to handle/lift objects, could affect the machine lift performance. Lift capacity is calculated with VA cylinder completely extracted.

Always refer to the appropriate Operation and Maintenance Manual for specific product information.

# MH3024 Material Handler Specifications

## Attachments Offering Guide – Europe

Not all Attachments are available in all regions. Consult your Cat dealer for configurations available in your region.

Match

No Match

### PIN-ON ATTACHMENTS

| Undercarriage                      |                           | All              |                  |                  |                  | MH<br>(2.75 m)    |                   |                   | MH<br>(2.99 m)    |                   |                   |
|------------------------------------|---------------------------|------------------|------------------|------------------|------------------|-------------------|-------------------|-------------------|-------------------|-------------------|-------------------|
|                                    |                           | 4.2 MT           |                  | 4.2 MT           |                  | 4.2 MT            | 4.7 MT            |                   | 4.2 MT            | 4.7 MT            |                   |
| Counterweight                      |                           | 4.2 MT           |                  | 4.2 MT           |                  | 4.2 MT            | 4.7 MT            |                   | 4.2 MT            | 4.7 MT            |                   |
| Boom Type                          |                           | VA               |                  | 1 PC             |                  | MH<br>(6.40 m)    | MH<br>(6.40 m)    | MH<br>(7.45 m)    | MH<br>(6.40 m)    | MH<br>(6.40 m)    | MH<br>(7.45 m)    |
| Stick Length                       |                           | 2.50 m<br>(8'2") | 2.90 m<br>(9'6") | 2.50 m<br>(8'2") | 2.90 m<br>(9'6") | 4.30 m<br>(14'1") | 4.30 m<br>(14'1") | 4.30 m<br>(14'1") | 4.30 m<br>(14'1") | 4.30 m<br>(14'1") | 4.30 m<br>(14'1") |
| Hydraulic Hammers                  | H115 S                    | ✓                | ✓                | ✓                | ✓                |                   |                   |                   |                   |                   |                   |
|                                    | H120 GC S                 | ✓                | ✓                | ✓                | ✓                |                   |                   |                   |                   |                   |                   |
|                                    | H120 S                    | ✓                | ✓                | ✓                | ✓                |                   |                   |                   |                   |                   |                   |
|                                    | H130 S                    | ✓                | ✓                | ✓                | ✓                |                   |                   |                   |                   |                   |                   |
| Multi-Processors                   | MP318 Concrete Cutter Jaw | ✓                |                  | ✓                | ✓                |                   |                   |                   |                   |                   |                   |
|                                    | MP318 Demolition Jaw      | ✓                |                  | ✓                | ✓                |                   |                   |                   |                   |                   |                   |
|                                    | MP318 Pulverizer Jaw      | ✓                |                  | ✓                | ✓                |                   |                   |                   |                   |                   |                   |
|                                    | MP318 Shear Jaw           | ✓                |                  | ✓                | ✓                | ✓                 | ✓                 | ✓                 | ✓                 | ✓                 | ✓                 |
|                                    | MP318 Universal Jaw       | ✓                |                  | ✓                | ✓                |                   |                   |                   |                   |                   |                   |
| Demolition and Sorting Grapples    | G317 GC                   | ✓                | ✓                | ✓                | ✓                | ✓                 | ✓                 | ✓                 | ✓                 | ✓                 | ✓                 |
|                                    | G318                      | ✓                |                  | ✓                | ✓                | ✓                 | ✓                 | ✓                 | ✓                 | ✓                 | ✓                 |
|                                    | G318 WH-800               | ✓                | ✓                | ✓                | ✓                | ✓                 | ✓                 | ✓                 | ✓                 | ✓                 | ✓                 |
|                                    | G318 WH-1100              | ✓                |                  | ✓                | ✓                | ✓                 | ✓                 |                   | ✓                 | ✓                 |                   |
| Mobile Scrap and Demolition Shears | S3025 Flat Top            |                  |                  | ✓                |                  |                   |                   |                   |                   |                   |                   |
| Pulverizers                        | P218 Secondary Pulverizer | ✓                |                  | ✓                | ✓                |                   |                   |                   |                   |                   |                   |
|                                    | P318 Primary Pulverizer   | ✓                |                  | ✓                | ✓                |                   |                   |                   |                   |                   |                   |
| Compactors<br>(Vibratory Plate)    | CVP110                    | ✓                | ✓                | ✓                | ✓                |                   |                   |                   |                   |                   |                   |

(continued on next page)

# MH3024 Material Handler Specifications

## Attachments Offering Guide – Europe (continued)

Not all Attachments are available in all regions. Consult your Cat dealer for configurations available in your region.

|                                   |  |   |   |  |
|-----------------------------------|--|---|---|--|
| <input type="checkbox"/> No Match | <input checked="" type="checkbox"/> 1800 kg/m <sup>3</sup> (3,000 lb/yd <sup>3</sup> ) | <input type="checkbox"/> 1200 kg/m <sup>3</sup> (2,000 lb/yd <sup>3</sup> ) | <input checked="" type="checkbox"/> 900 kg/m <sup>3</sup> (1,500 lb/yd <sup>3</sup> ) | <input type="checkbox"/> 600 kg/m <sup>3</sup> (1,000 lb/yd <sup>3</sup> ) |
|-----------------------------------|--|---|---|--|

### PIN-ON ATTACHMENTS (continued)

| Undercarriage        |                | MH (2.75 m)    |                |                | MH (2.99 m)    |                |                |
|----------------------|----------------|----------------|----------------|----------------|----------------|----------------|----------------|
|                      |                | 4.2 MT         | 4.7 MT         |                | 4.2 MT         | 4.7 MT         |                |
| Counterweight        |                | MH (6.40 m)    |                | MH (7.45 m)    | MH (6.40 m)    |                | MH (7.45 m)    |
| Boom Type            |                | 5.00 m (16'5") | 5.00 m (16'5") | 5.00 m (16'5") | 5.00 m (16'5") | 5.00 m (16'5") | 5.00 m (16'5") |
| Stick Length         |                | 5.00 m (16'5") | 5.00 m (16'5") | 5.00 m (16'5") | 5.00 m (16'5") | 5.00 m (16'5") | 5.00 m (16'5") |
| Orange Peel Grapples | GSH420-500     | ●              | ●              | ●              | ●              | ●              | ●              |
|                      | GSH420-600     | ●              | ●              | ●              | ●              | ●              | ●              |
|                      | GSH420-750     | ●              | ●              | ●              | ●              | ●              | ●              |
|                      | GSH425-750     | ●              | ●              | ○              | ●              | ●              | ●              |
|                      | GSH425-950     | ○              | ●              | ○              | ●              | ●              | ○              |
|                      | GSH425-1150    | ○              | ○              | ◆              | ○              | ●              | ○              |
|                      | GSH520-500     | ●              | ●              | ●              | ●              | ●              | ●              |
|                      | GSH520-600     | ●              | ●              | ●              | ●              | ●              | ●              |
|                      | GSH520-750     | ●              | ●              | ●              | ●              | ●              | ●              |
|                      | GSH525-750     | ●              | ●              | ○              | ●              | ●              | ○              |
|                      | GSH525-950     | ○              | ○              | ◆              | ○              | ●              | ○              |
|                      | GSH525-1150    | ○              | ○              |                | ○              | ○              | ◆              |
|                      | GSV420-400     | ●              | ●              | ●              | ●              | ●              | ●              |
|                      | GSV420-500     | ●              | ●              | ●              | ●              | ●              | ●              |
|                      | GSV420-600     | ●              | ●              | ●              | ●              | ●              | ●              |
|                      | GSV420-750     | ●              | ●              | ●              | ●              | ●              | ●              |
|                      | GSV420-1250    | ◇              | ◇              | ◇              | ◇              | ◇              | ◇              |
|                      | GSV425-600     | ●              | ●              | ●              | ●              | ●              | ●              |
|                      | GSV425-750     | ●              | ●              | ○              | ●              | ●              | ●              |
|                      | GSV425-950     | ○              | ●              | ○              | ●              | ●              | ○              |
|                      | GSV425-1150    | ◆              | ○              |                | ○              | ●              | ○              |
|                      | GSV425-1550    | ◇              | ◇              | ◇              | ◇              | ◇              | ◇              |
|                      | GSV520 GC-400  | ●              | ●              | ●              | ●              | ●              | ●              |
|                      | GSV520 GC-500  | ●              | ●              | ●              | ●              | ●              | ●              |
|                      | GSV520 GC-600  | ●              | ●              | ●              | ●              | ●              | ●              |
|                      | GSV520 GC-750  | ●              | ●              | ●              | ●              | ●              | ●              |
|                      | GSV520 GC-1250 | ◇              | ◇              | ◇              | ◇              | ◇              | ◇              |
|                      | GSV520-400     | ●              | ●              | ●              | ●              | ●              | ●              |
|                      | GSV520-500     | ●              | ●              | ●              | ●              | ●              | ●              |
|                      | GSV520-600     | ●              | ●              | ●              | ●              | ●              | ●              |
|                      | GSV520-750     | ●              | ●              | ●              | ●              | ●              | ●              |
|                      | GSV520-1250    | ◇              | ◇              | ◇              | ◇              | ◇              | ◇              |
|                      | GSV525-600     | ●              | ●              | ●              | ●              | ●              | ●              |
|                      | GSV525-750     | ●              | ●              | ○              | ●              | ●              | ○              |
| GSV525-950           | ○              | ○              | ◆              | ○              | ●              | ○              |                |
| GSV525-1150          | ◆              | ○              |                | ○              | ○              | ◆              |                |
| GSV525-1550          | ◇              | ◇              |                | ◇              | ◇              | ◇              |                |
| Clamshell Grapples   | CTV15-1000     | ●              | ●              | ○              | ●              | ●              | ●              |
|                      | CTV15-1200     | ○              | ○              | ○              | ●              | ●              | ○              |
|                      | CTV15-1500     | ◆              | ○              | ◆              | ○              | ○              | ◆              |
|                      | CTV15-1700     | ◆              | ◆              |                | ◆              | ○              | ◆              |
|                      | CTV15-1900     |                | ◆              |                | ◆              | ◆              |                |
|                      | CTV15-2300     |                |                |                |                |                |                |

(continued on next page)

# MH3024 Material Handler Specifications

## Attachments Offering Guide – Europe (continued)

Not all Attachments are available in all regions. Consult your Cat dealer for configurations available in your region.

Match

No Match

### CAT PIN GRABBER ATTACHMENTS

| Undercarriage                      |                           | All              |                  |                  |                  | MH (2.75 m)       |                   |                   | MH (2.99 m)       |                   |                   |
|------------------------------------|---------------------------|------------------|------------------|------------------|------------------|-------------------|-------------------|-------------------|-------------------|-------------------|-------------------|
|                                    |                           | 4.2 MT           |                  |                  |                  | 4.2 MT            | 4.7 MT            | 4.2 MT            |                   | 4.7 MT            |                   |
| Counterweight                      |                           | VA               |                  | 1 PC             |                  | MH                | MH                | MH                | MH                | MH                | MH                |
|                                    |                           | 2.50 m<br>(8'2") | 2.90 m<br>(9'6") | 2.50 m<br>(8'2") | 2.90 m<br>(9'6") | (6.40 m)          | (6.40 m)          | (7.45 m)          | (6.40 m)          | (6.40 m)          | (7.45 m)          |
| Boom Type                          |                           |                  |                  |                  |                  | (6.40 m)          | (6.40 m)          | (7.45 m)          | (6.40 m)          | (6.40 m)          | (7.45 m)          |
| Stick Length                       |                           | 2.50 m<br>(8'2") | 2.90 m<br>(9'6") | 2.50 m<br>(8'2") | 2.90 m<br>(9'6") | 4.30 m<br>(14'1") | 4.30 m<br>(14'1") | 4.30 m<br>(14'1") | 4.30 m<br>(14'1") | 4.30 m<br>(14'1") | 4.30 m<br>(14'1") |
| Hydraulic Hammers                  | H115 S                    | ✓                | ✓                | ✓                | ✓                |                   |                   |                   |                   |                   |                   |
|                                    | H120 GC S                 | ✓                |                  | ✓                | ✓                |                   |                   |                   |                   |                   |                   |
|                                    | H120 S                    | ✓                | ✓                | ✓                | ✓                |                   |                   |                   |                   |                   |                   |
|                                    | H130 S                    | ✓                |                  | ✓                | ✓                |                   |                   |                   |                   |                   |                   |
| Multi-Processors                   | MP318 Concrete Cutter Jaw |                  |                  |                  | ✓                |                   |                   |                   |                   |                   |                   |
|                                    | MP318 Demolition Jaw      |                  |                  |                  | ✓                |                   |                   |                   |                   |                   |                   |
|                                    | MP318 Pulverizer Jaw      |                  |                  |                  | ✓                |                   |                   |                   |                   |                   |                   |
|                                    | MP318 Shear Jaw           |                  |                  | ✓                |                  | ✓                 | ✓                 |                   | ✓                 | ✓                 |                   |
|                                    | MP318 Universal Jaw       |                  |                  |                  | ✓                |                   |                   |                   |                   |                   |                   |
| Demolition and<br>Sorting Grapples | G317 GC                   | ✓                |                  | ✓                | ✓                | ✓                 | ✓                 | ✓                 | ✓                 | ✓                 | ✓                 |
|                                    | G318                      |                  |                  | ✓                |                  | ✓                 | ✓                 |                   | ✓                 | ✓                 |                   |
|                                    | G318 WH-800               |                  |                  | ✓                |                  | ✓                 | ✓                 | ✓                 | ✓                 | ✓                 | ✓                 |
|                                    | G318 WH-1100              |                  |                  |                  |                  | ✓                 | ✓                 |                   | ✓                 | ✓                 |                   |
| Pulverizers                        | P318 Primary Pulverizer   |                  |                  |                  | ✓                |                   |                   |                   |                   |                   |                   |
| Compactors<br>(Vibratory Plate)    | CVP110                    | ✓                | ✓                | ✓                | ✓                |                   |                   |                   |                   |                   |                   |

(continued on next page)

# MH3024 Material Handler Specifications

## Attachments Offering Guide – Europe (continued)

Not all Attachments are available in all regions. Consult your Cat dealer for configurations available in your region.

Match

No Match

### CW-40S DEDICATED COUPLER ATTACHMENTS

| Undercarriage                      |                           | All              |                  |                  |                  | MH (2.75 m)       |                   |                   | MH (2.99 m)       |                   |                   |
|------------------------------------|---------------------------|------------------|------------------|------------------|------------------|-------------------|-------------------|-------------------|-------------------|-------------------|-------------------|
|                                    |                           | 4.2 MT           |                  |                  |                  | 4.2 MT            | 4.7 MT            | 4.2 MT            | 4.7 MT            |                   |                   |
| Counterweight                      |                           | VA               |                  | 1 PC             |                  | MH                | MH                | MH                | MH                | MH                | MH                |
|                                    |                           | 2.50 m<br>(8'2") | 2.90 m<br>(9'6") | 2.50 m<br>(8'2") | 2.90 m<br>(9'6") | (6.40 m)          | (6.40 m)          | (7.45 m)          | (6.40 m)          | (6.40 m)          | (7.45 m)          |
| Boom Type                          |                           |                  |                  |                  |                  | (6.40 m)          | (6.40 m)          | (7.45 m)          | (6.40 m)          | (6.40 m)          | (7.45 m)          |
| Stick Length                       |                           | 2.50 m<br>(8'2") | 2.90 m<br>(9'6") | 2.50 m<br>(8'2") | 2.90 m<br>(9'6") | 4.30 m<br>(14'1") | 4.30 m<br>(14'1") | 4.30 m<br>(14'1") | 4.30 m<br>(14'1") | 4.30 m<br>(14'1") | 4.30 m<br>(14'1") |
| Hydraulic Hammers                  | H115 S                    | ✓                | ✓                | ✓                | ✓                |                   |                   |                   |                   |                   |                   |
|                                    | H120 GC S                 | ✓                | ✓                | ✓                | ✓                |                   |                   |                   |                   |                   |                   |
|                                    | H120 S                    | ✓                | ✓                | ✓                | ✓                |                   |                   |                   |                   |                   |                   |
|                                    | H130 S                    | ✓                |                  | ✓                | ✓                |                   |                   |                   |                   |                   |                   |
| Multi-Processors                   | MP318 Concrete Cutter Jaw |                  |                  | ✓                | ✓                |                   |                   |                   |                   |                   |                   |
|                                    | MP318 Demolition Jaw      |                  |                  | ✓                | ✓                |                   |                   |                   |                   |                   |                   |
|                                    | MP318 Pulverizer Jaw      |                  |                  | ✓                |                  |                   |                   |                   |                   |                   |                   |
|                                    | MP318 Shear Jaw           | ✓                |                  | ✓                | ✓                | ✓                 | ✓                 |                   | ✓                 | ✓                 |                   |
|                                    | MP318 Universal Jaw       |                  |                  | ✓                | ✓                |                   |                   |                   |                   |                   |                   |
| Demolition and<br>Sorting Grapples | G317 GC                   | ✓                | ✓                | ✓                | ✓                | ✓                 | ✓                 | ✓                 | ✓                 | ✓                 | ✓                 |
|                                    | G318                      | ✓                |                  | ✓                | ✓                | ✓                 | ✓                 |                   | ✓                 | ✓                 |                   |
|                                    | G318 WH-800               | ✓                |                  | ✓                | ✓                | ✓                 | ✓                 | ✓                 | ✓                 | ✓                 | ✓                 |
|                                    | G318 WH-1100              |                  |                  | ✓                |                  | ✓                 | ✓                 |                   | ✓                 | ✓                 |                   |
| Pulverizers                        | P218 Secondary Pulverizer |                  |                  | ✓                |                  |                   |                   |                   |                   |                   |                   |
|                                    | P318 Primary Pulverizer   |                  |                  | ✓                |                  |                   |                   |                   |                   |                   |                   |
| Compactors<br>(Vibratory Plate)    | CVP110                    | ✓                | ✓                | ✓                | ✓                |                   |                   |                   |                   |                   |                   |

(continued on next page)



# MH3024 Material Handler Specifications

## Attachments Offering Guide – Europe (continued)

Not all Attachments are available in all regions. Consult your Cat dealer for configurations available in your region.

Match

No Match

### CW-40 DEDICATED COUPLER ATTACHMENTS

| Undercarriage                      |                           | All              |                  |                  |                  | MH (2.75 m)       |                   |                   | MH (2.99 m)       |                   |                   |
|------------------------------------|---------------------------|------------------|------------------|------------------|------------------|-------------------|-------------------|-------------------|-------------------|-------------------|-------------------|
|                                    |                           | 4.2 MT           |                  |                  |                  | 4.2 MT            | 4.7 MT            | 4.2 MT            | 4.7 MT            |                   |                   |
| Counterweight                      |                           | VA               |                  | 1 PC             |                  | MH                | MH                | MH                | MH                | MH                | MH                |
|                                    |                           | 2.50 m<br>(8'2") | 2.90 m<br>(9'6") | 2.50 m<br>(8'2") | 2.90 m<br>(9'6") | (6.40 m)          | (6.40 m)          | (7.45 m)          | (6.40 m)          | (6.40 m)          | (7.45 m)          |
| Boom Type                          |                           | VA               |                  | 1 PC             |                  | MH                | MH                | MH                | MH                | MH                | MH                |
| Stick Length                       |                           | 2.50 m<br>(8'2") | 2.90 m<br>(9'6") | 2.50 m<br>(8'2") | 2.90 m<br>(9'6") | 4.30 m<br>(14'1") | 4.30 m<br>(14'1") | 4.30 m<br>(14'1") | 4.30 m<br>(14'1") | 4.30 m<br>(14'1") | 4.30 m<br>(14'1") |
| Hydraulic Hammers                  | H115 S                    | ✓                | ✓                | ✓                | ✓                |                   |                   |                   |                   |                   |                   |
|                                    | H120 GC S                 | ✓                | ✓                | ✓                | ✓                |                   |                   |                   |                   |                   |                   |
|                                    | H120 S                    | ✓                | ✓                | ✓                | ✓                |                   |                   |                   |                   |                   |                   |
|                                    | H130 S                    | ✓                |                  | ✓                | ✓                |                   |                   |                   |                   |                   |                   |
| Multi-Processors                   | MP318 Concrete Cutter Jaw |                  |                  | ✓                | ✓                |                   |                   |                   |                   |                   |                   |
|                                    | MP318 Demolition Jaw      | ✓                |                  | ✓                | ✓                |                   |                   |                   |                   |                   |                   |
|                                    | MP318 Pulverizer Jaw      |                  |                  | ✓                |                  |                   |                   |                   |                   |                   |                   |
|                                    | MP318 Shear Jaw           | ✓                |                  | ✓                | ✓                | ✓                 | ✓                 |                   | ✓                 | ✓                 |                   |
|                                    | MP318 Universal Jaw       |                  |                  | ✓                | ✓                |                   |                   |                   |                   |                   |                   |
| Demolition and<br>Sorting Grapples | G317 GC                   | ✓                |                  | ✓                | ✓                | ✓                 | ✓                 | ✓                 | ✓                 | ✓                 | ✓                 |
|                                    | G317 GC Fixed CAN         | ✓                | ✓                | ✓                | ✓                | ✓                 | ✓                 | ✓                 | ✓                 | ✓                 | ✓                 |
|                                    | G318                      | ✓                |                  | ✓                | ✓                | ✓                 | ✓                 |                   | ✓                 | ✓                 |                   |
|                                    | G318 Fixed CAN            | ✓                |                  | ✓                | ✓                | ✓                 | ✓                 | ✓                 | ✓                 | ✓                 | ✓                 |
|                                    | G318 WH-800               | ✓                |                  | ✓                | ✓                | ✓                 | ✓                 | ✓                 | ✓                 | ✓                 | ✓                 |
|                                    | G318 WH-1100              |                  |                  | ✓                |                  | ✓                 | ✓                 |                   | ✓                 | ✓                 |                   |
| Pulverizers                        | P218 Secondary Pulverizer |                  |                  | ✓                |                  |                   |                   |                   |                   |                   |                   |
|                                    | P318 Primary Pulverizer   |                  |                  | ✓                |                  |                   |                   |                   |                   |                   |                   |
| Compactors<br>(Vibratory Plate)    | CVP110                    | ✓                | ✓                | ✓                | ✓                |                   |                   |                   |                   |                   |                   |

(continued on next page)

# MH3024 Material Handler Specifications

## Attachments Offering Guide – Europe (continued)

Not all Attachments are available in all regions. Consult your Cat dealer for configurations available in your region.

Match

No Match

### S70 DEDICATED COUPLER ATTACHMENTS

| Undercarriage                      |                           | All              |                  |                  |                  | MH (2.75 m)       |                   |                   | MH (2.99 m)       |                   |                   |
|------------------------------------|---------------------------|------------------|------------------|------------------|------------------|-------------------|-------------------|-------------------|-------------------|-------------------|-------------------|
|                                    |                           | 4.2 MT           |                  |                  |                  | 4.2 MT            | 4.7 MT            | 4.2 MT            |                   |                   | 4.7 MT            |
| Counterweight                      |                           | VA               |                  | 1 PC             |                  | MH                | MH                | MH                | MH                | MH                | MH                |
|                                    |                           | 2.50 m<br>(8'2") | 2.90 m<br>(9'6") | 2.50 m<br>(8'2") | 2.90 m<br>(9'6") | (6.40 m)          | (6.40 m)          | (7.45 m)          | (6.40 m)          | (6.40 m)          | (7.45 m)          |
| Boom Type                          |                           | VA               |                  | 1 PC             |                  | MH                | MH                | MH                | MH                | MH                | MH                |
| Stick Length                       |                           | 2.50 m<br>(8'2") | 2.90 m<br>(9'6") | 2.50 m<br>(8'2") | 2.90 m<br>(9'6") | 4.30 m<br>(14'1") | 4.30 m<br>(14'1") | 4.30 m<br>(14'1") | 4.30 m<br>(14'1") | 4.30 m<br>(14'1") | 4.30 m<br>(14'1") |
| Hydraulic Hammers                  | H115 S                    | ✓                | ✓                | ✓                | ✓                |                   |                   |                   |                   |                   |                   |
|                                    | H120 GC S                 | ✓                |                  | ✓                | ✓                |                   |                   |                   |                   |                   |                   |
|                                    | H120 S                    | ✓                | ✓                | ✓                | ✓                |                   |                   |                   |                   |                   |                   |
|                                    | H130 S                    | ✓                |                  | ✓                | ✓                |                   |                   |                   |                   |                   |                   |
| Multi-Processors                   | MP318 Concrete Cutter Jaw |                  |                  | ✓                |                  |                   |                   |                   |                   |                   |                   |
|                                    | MP318 Demolition Jaw      |                  |                  | ✓                |                  |                   |                   |                   |                   |                   |                   |
|                                    | MP318 Pulverizer Jaw      |                  |                  | ✓                |                  |                   |                   |                   |                   |                   |                   |
|                                    | MP318 Shear Jaw           |                  |                  | ✓                | ✓                | ✓                 | ✓                 |                   | ✓                 | ✓                 |                   |
|                                    | MP318 Universal Jaw       |                  |                  | ✓                |                  |                   |                   |                   |                   |                   |                   |
| Demolition and<br>Sorting Grapples | G317 GC                   | ✓                |                  | ✓                | ✓                | ✓                 | ✓                 | ✓                 | ✓                 | ✓                 | ✓                 |
|                                    | G318                      |                  |                  | ✓                | ✓                | ✓                 | ✓                 |                   | ✓                 | ✓                 |                   |
|                                    | G318 WH-800               | ✓                |                  | ✓                | ✓                | ✓                 | ✓                 |                   | ✓                 | ✓                 |                   |
|                                    | G318 WH-1100              |                  |                  | ✓                |                  | ✓                 | ✓                 |                   | ✓                 | ✓                 |                   |
| Pulverizers                        | P218 Secondary Pulverizer |                  |                  | ✓                |                  |                   |                   |                   |                   |                   |                   |
|                                    | P318 Primary Pulverizer   |                  |                  | ✓                |                  |                   |                   |                   |                   |                   |                   |
| Compactors<br>(Vibratory Plate)    | CVP110                    | ✓                | ✓                | ✓                | ✓                |                   |                   |                   |                   |                   |                   |

(continued on next page)

# MH3024 Material Handler Specifications

## Attachments Offering Guide – Europe (continued)

Not all Attachments are available in all regions. Consult your Cat dealer for configurations available in your region.

Match

No Match

### HCS70 DEDICATED COUPLER ATTACHMENTS

| Undercarriage                   |                           | All              |                  |                  |                  | MH (2.75 m)       |                   | MH (2.99 m)       |                   |
|---------------------------------|---------------------------|------------------|------------------|------------------|------------------|-------------------|-------------------|-------------------|-------------------|
| Counterweight                   |                           | 4.2 MT           |                  |                  |                  | 4.2 MT            | 4.7 MT            | 4.2 MT            | 4.7 MT            |
| Boom Type                       |                           | VA               |                  | 1 PC             |                  | MH (6.40 m)       | MH (6.40 m)       | MH (6.40 m)       | MH (6.40 m)       |
| Stick Length                    |                           | 2.50 m<br>(8'2") | 2.90 m<br>(9'6") | 2.50 m<br>(8'2") | 2.90 m<br>(9'6") | 4.30 m<br>(14'1") | 4.30 m<br>(14'1") | 4.30 m<br>(14'1") | 4.30 m<br>(14'1") |
| Hydraulic Hammers               | H115 S                    | ✓                | ✓                | ✓                | ✓                |                   |                   |                   |                   |
|                                 | H120 S                    | ✓                | ✓                | ✓                | ✓                |                   |                   |                   |                   |
|                                 | H130 S                    | ✓                |                  | ✓                | ✓                |                   |                   |                   |                   |
| Multi-Processors                | MP318 Concrete Cutter Jaw |                  |                  | ✓                |                  |                   |                   |                   |                   |
|                                 | MP318 Demolition Jaw      |                  |                  | ✓                |                  |                   |                   |                   |                   |
|                                 | MP318 Pulverizer Jaw      |                  |                  | ✓                |                  |                   |                   |                   |                   |
|                                 | MP318 Shear Jaw           |                  |                  | ✓                |                  | ✓                 | ✓                 | ✓                 | ✓                 |
|                                 | MP318 Universal Jaw       |                  |                  | ✓                |                  |                   |                   |                   |                   |
| Demolition and Sorting Grapples | G317 GC                   | ✓                |                  | ✓                | ✓                | ✓                 | ✓                 | ✓                 | ✓                 |
|                                 | G318                      |                  |                  | ✓                |                  | ✓                 | ✓                 | ✓                 | ✓                 |
|                                 | G318 WH-800               |                  |                  | ✓                |                  | ✓                 | ✓                 | ✓                 | ✓                 |
|                                 | G318 WH-1100              |                  |                  |                  |                  | ✓                 | ✓                 | ✓                 | ✓                 |
| Pulverizers                     | P318 Primary Pulverizer   |                  |                  | ✓                |                  |                   |                   |                   |                   |
| Compactors (Vibratory Plate)    | CVP110                    | ✓                | ✓                | ✓                | ✓                |                   |                   |                   |                   |

### HCS70/55 DEDICATED COUPLER ATTACHMENTS

| Undercarriage                   |                           | All              |                  |                  |                  | MH (2.75 m)       |                   | MH (2.99 m)       |                   |
|---------------------------------|---------------------------|------------------|------------------|------------------|------------------|-------------------|-------------------|-------------------|-------------------|
| Counterweight                   |                           | 4.2 MT           |                  |                  |                  | 4.2 MT            | 4.7 MT            | 4.2 MT            | 4.7 MT            |
| Boom Type                       |                           | VA               |                  | 1 PC             |                  | MH (6.40 m)       | MH (6.40 m)       | MH (6.40 m)       | MH (6.40 m)       |
| Stick Length                    |                           | 2.50 m<br>(8'2") | 2.90 m<br>(9'6") | 2.50 m<br>(8'2") | 2.90 m<br>(9'6") | 4.30 m<br>(14'1") | 4.30 m<br>(14'1") | 4.30 m<br>(14'1") | 4.30 m<br>(14'1") |
| Hydraulic Hammers               | H115 S                    | ✓                | ✓                | ✓                | ✓                |                   |                   |                   |                   |
|                                 | H120 S                    | ✓                | ✓                | ✓                | ✓                |                   |                   |                   |                   |
|                                 | H130 S                    |                  |                  | ✓                | ✓                |                   |                   |                   |                   |
| Multi-Processors                | MP318 Concrete Cutter Jaw |                  |                  | ✓                |                  |                   |                   |                   |                   |
|                                 | MP318 Demolition Jaw      |                  |                  | ✓                |                  |                   |                   |                   |                   |
|                                 | MP318 Shear Jaw           |                  |                  | ✓                |                  | ✓                 | ✓                 | ✓                 | ✓                 |
|                                 | MP318 Universal Jaw       |                  |                  | ✓                |                  |                   |                   |                   |                   |
| Demolition and Sorting Grapples | G317 GC                   |                  |                  | ✓                | ✓                | ✓                 | ✓                 | ✓                 | ✓                 |
|                                 | G318                      |                  |                  | ✓                |                  | ✓                 | ✓                 | ✓                 | ✓                 |
|                                 | G318 WH-800               |                  |                  | ✓                |                  | ✓                 | ✓                 | ✓                 | ✓                 |
|                                 | G318 WH-1100              |                  |                  |                  |                  | ✓                 | ✓                 | ✓                 | ✓                 |
| Compactors (Vibratory Plate)    | CVP110                    | ✓                | ✓                | ✓                | ✓                |                   |                   |                   |                   |

# MH3024 Material Handler Specifications

## Attachments Offering Guide – North America

Not all Attachments are available in all regions. Consult your Cat dealer for configurations available in your region.

Match

No Match

### PIN-ON ATTACHMENTS

| Undercarriage                      |                           | All              |                  |                  |                  | MH (2.75 m)       |                   |                   | MH (2.99 m)       |                   |                   |
|------------------------------------|---------------------------|------------------|------------------|------------------|------------------|-------------------|-------------------|-------------------|-------------------|-------------------|-------------------|
| Counterweight                      |                           | 4.2 MT           |                  |                  |                  | 4.2 MT            | 4.7 MT            | 4.7 MT            | 4.2 MT            | 4.7 MT            | 4.7 MT            |
| Boom Type                          |                           | VA               |                  | 1 PC             |                  | MH                | MH                | MH                | MH                | MH                | MH                |
| Stick Length                       |                           | 2.50 m<br>(8'2") | 2.90 m<br>(9'6") | 2.50 m<br>(8'2") | 2.90 m<br>(9'6") | 4.30 m<br>(14'1") | 4.30 m<br>(14'1") | 4.30 m<br>(14'1") | 4.30 m<br>(14'1") | 4.30 m<br>(14'1") | 4.30 m<br>(14'1") |
| Hydraulic Hammers                  | H115 S                    | ✓                | ✓                | ✓                | ✓                |                   |                   |                   |                   |                   |                   |
|                                    | H120 GC                   | ✓                | ✓                | ✓                | ✓                |                   |                   |                   |                   |                   |                   |
|                                    | H120 GC S                 | ✓                | ✓                | ✓                | ✓                |                   |                   |                   |                   |                   |                   |
|                                    | H120 S                    | ✓                | ✓                | ✓                | ✓                |                   |                   |                   |                   |                   |                   |
|                                    | H130 S                    | ✓                | ✓                | ✓                | ✓                |                   |                   |                   |                   |                   |                   |
| Multi-Processors                   | MP318 Concrete Cutter Jaw | ✓                |                  | ✓                | ✓                |                   |                   |                   |                   |                   |                   |
|                                    | MP318 Demolition Jaw      | ✓                |                  | ✓                | ✓                |                   |                   |                   |                   |                   |                   |
|                                    | MP318 Pulverizer Jaw      | ✓                |                  | ✓                | ✓                |                   |                   |                   |                   |                   |                   |
|                                    | MP318 Shear Jaw           | ✓                |                  | ✓                | ✓                | ✓                 | ✓                 | ✓                 | ✓                 | ✓                 | ✓                 |
|                                    | MP318 Universal Jaw       | ✓                |                  | ✓                | ✓                |                   |                   |                   |                   |                   |                   |
| Demolition and Sorting Grapples    | G318                      | ✓                |                  | ✓                | ✓                | ✓                 | ✓                 | ✓                 | ✓                 | ✓                 | ✓                 |
|                                    | G318 WH-800               | ✓                | ✓                | ✓                | ✓                | ✓                 | ✓                 | ✓                 | ✓                 | ✓                 | ✓                 |
|                                    | G318 WH-1100              | ✓                |                  | ✓                | ✓                | ✓                 | ✓                 |                   | ✓                 | ✓                 |                   |
| Mobile Scrap and Demolition Shears | S3025                     |                  |                  | ✓                | ✓                | ✓                 | ✓                 | ✓                 | ✓                 | ✓                 | ✓                 |
|                                    | S3025 Flat Top            |                  |                  | ✓                |                  |                   |                   |                   |                   |                   |                   |
| Pulverizers                        | P218 Secondary Pulverizer | ✓                |                  | ✓                | ✓                |                   |                   |                   |                   |                   |                   |
|                                    | P318 Primary Pulverizer   | ✓                |                  | ✓                | ✓                |                   |                   |                   |                   |                   |                   |
| Compactors (Vibratory Plate)       | CVP110                    | ✓                | ✓                | ✓                | ✓                |                   |                   |                   |                   |                   |                   |
| Mulchers                           | HM4015                    | ✓                | ✓                | ✓                | ✓                | ✓                 | ✓                 | ✓                 | ✓                 | ✓                 | ✓                 |
|                                    | HM4815                    | ✓                | ✓                | ✓                | ✓                | ✓                 | ✓                 | ✓                 | ✓                 | ✓                 | ✓                 |

(continued on next page)

# MH3024 Material Handler Specifications

## Attachments Offering Guide – North America (continued)

Not all Attachments are available in all regions. Consult your Cat dealer for configurations available in your region.

|   |                                   |   |  |  |   |  |
|---|-----------------------------------|---|--|--|---|--|
| <input checked="" type="checkbox"/> Match | <input type="checkbox"/> No Match | <input checked="" type="checkbox"/> 1800 kg/m <sup>3</sup><br>(3,000 lb/yd <sup>3</sup> ) | <input type="checkbox"/> 1200 kg/m <sup>3</sup><br>(2,000 lb/yd <sup>3</sup> ) | <input checked="" type="checkbox"/> 900 kg/m <sup>3</sup><br>(1,500 lb/yd <sup>3</sup> ) | <input type="checkbox"/> 0 Optimal Match<br>(Max. Log Load kg/lb) | <input type="checkbox"/> A Acceptable Match<br>(Max. Log Load kg/lb) |
|---|-----------------------------------|---|--|--|---|--|

### PIN-ON ATTACHMENTS (continued)

| Undercarriage        |             | MH (2.75 m)       |                   |                   | MH (2.99 m)       |                   |                   |
|----------------------|-------------|-------------------|-------------------|-------------------|-------------------|-------------------|-------------------|
|                      |             | 4.2 MT            | 4.7 MT            |                   | 4.2 MT            | 4.7 MT            |                   |
| Counterweight        |             |                   |                   |                   |                   |                   |                   |
| Boom Type            |             | MH<br>(6.40 m)    | MH<br>(6.40 m)    | MH<br>(7.45 m)    | MH<br>(6.40 m)    | MH<br>(6.40 m)    | MH<br>(7.45 m)    |
| Stick Length         |             | 5.00 m<br>(16'5") | 5.00 m<br>(16'5") | 5.00 m<br>(16'5") | 5.00 m<br>(16'5") | 5.00 m<br>(16'5") | 5.00 m<br>(16'5") |
| Orange Peel Grapples | GSH420-500  | ●                 | ●                 | ●                 | ●                 | ●                 | ●                 |
|                      | GSH420-600  | ●                 | ●                 | ●                 | ●                 | ●                 | ●                 |
|                      | GSH420-750  | ●                 | ●                 | ●                 | ●                 | ●                 | ●                 |
|                      | GSH425-750  | ●                 | ●                 |                   | ●                 | ●                 | ●                 |
|                      | GSH425-950  | ○                 | ●                 |                   | ●                 | ●                 | ○                 |
|                      | GSH425-1150 | ○                 | ○                 |                   | ○                 | ●                 | ○                 |
|                      | GSH520-500  | ●                 | ●                 | ●                 | ●                 | ●                 | ●                 |
|                      | GSH520-600  | ●                 | ●                 | ●                 | ●                 | ●                 | ●                 |
|                      | GSH520-750  | ●                 | ●                 | ●                 | ●                 | ●                 | ●                 |
|                      | GSH525-950  | ○                 | ○                 |                   | ○                 | ●                 | ○                 |
|                      | GSH525-1150 | ◆                 | ○                 |                   | ○                 | ○                 | ◆                 |
| Clamshell Grapples   | CTV15-1900  |                   |                   |                   | ◆                 | ◆                 |                   |
| Forestry Grapples    | GLL52       | 0<br>(2050/4,519) | 0<br>(2250/4,960) |                   | 0<br>(2350/5,181) | 0<br>(2550/5,622) | 0<br>(1950/4,299) |
|                      | GLL55       | A<br>(2000/4,409) | A<br>(2200/4,850) |                   | A<br>(2300/5,071) | A<br>(2500/5,512) | A<br>(1900/4,189) |

### CAT PIN GRABBER COUPLER ATTACHMENTS

| Undercarriage                   |                           | All              |                  | MH (2.75 m)      |                  |                   | MH (2.99 m)       |                   |                   |
|---------------------------------|---------------------------|------------------|------------------|------------------|------------------|-------------------|-------------------|-------------------|-------------------|
|                                 |                           | 4.2 MT           |                  | 4.2 MT           | 4.7 MT           | 4.2 MT            | 4.7 MT            |                   |                   |
| Counterweight                   |                           |                  |                  |                  |                  |                   |                   |                   |                   |
| Boom Type                       |                           | VA               | 1 PC             | MH<br>(6.40 m)   | MH<br>(6.40 m)   | MH<br>(7.45 m)    | MH<br>(6.40 m)    | MH<br>(6.40 m)    | MH<br>(7.45 m)    |
| Stick Length                    |                           | 2.50 m<br>(8'2") | 2.90 m<br>(9'6") | 2.50 m<br>(8'2") | 2.90 m<br>(9'6") | 4.30 m<br>(14'1") | 4.30 m<br>(14'1") | 4.30 m<br>(14'1") | 4.30 m<br>(14'1") |
| Hydraulic Hammers               | H115 S                    | ✓                | ✓                | ✓                | ✓                |                   |                   |                   |                   |
|                                 | H120 GC                   | ✓                |                  | ✓                | ✓                |                   |                   |                   |                   |
|                                 | H120 GC S                 | ✓                |                  | ✓                | ✓                |                   |                   |                   |                   |
|                                 | H120 S                    | ✓                | ✓                | ✓                | ✓                |                   |                   |                   |                   |
|                                 | H130 S                    | ✓                |                  | ✓                | ✓                |                   |                   |                   |                   |
| Multi-Processors                | MP318 Concrete Cutter Jaw |                  |                  | ✓                |                  |                   |                   |                   |                   |
|                                 | MP318 Demolition Jaw      |                  |                  | ✓                |                  |                   |                   |                   |                   |
|                                 | MP318 Pulverizer Jaw      |                  |                  | ✓                |                  |                   |                   |                   |                   |
|                                 | MP318 Shear Jaw           |                  |                  | ✓                |                  | ✓                 | ✓                 | ✓                 | ✓                 |
|                                 | MP318 Universal Jaw       |                  |                  | ✓                |                  |                   |                   |                   |                   |
| Demolition and Sorting Grapples | G318                      |                  |                  | ✓                |                  | ✓                 |                   | ✓                 | ✓                 |
|                                 | G318 WH-800               |                  |                  | ✓                |                  | ✓                 |                   | ✓                 | ✓                 |
|                                 | G318 WH-1100              |                  |                  | ✓                |                  | ✓                 |                   | ✓                 | ✓                 |
| Pulverizers                     | P318 Primary Pulverizer   |                  |                  | ✓                |                  |                   |                   |                   |                   |
| Compactors (Vibratory Plate)    | CVP110                    | ✓                | ✓                | ✓                | ✓                |                   |                   |                   |                   |
| Mulchers                        | HM4015                    | ✓                |                  | ✓                | ✓                | ✓                 | ✓                 | ✓                 | ✓                 |
|                                 | HM4815                    | ✓                |                  | ✓                | ✓                | ✓                 | ✓                 | ✓                 | ✓                 |

(continued on next page)

# MH3024 Material Handler Specifications

## Attachments Offering Guide – North America (continued)

Not all Attachments are available in all regions. Consult your Cat dealer for configurations available in your region.

Match

No Match

### S70 DEDICATED COUPLER ATTACHMENTS

| Undercarriage                         |                           | ALL              |                  |                  |                  | MH (2.75 m)       |                   | MH (2.99 m)      |                  |                  |                  |                   |                   |
|---------------------------------------|---------------------------|------------------|------------------|------------------|------------------|-------------------|-------------------|------------------|------------------|------------------|------------------|-------------------|-------------------|
|                                       |                           | 4.2 MT           |                  |                  |                  | 4.2 MT            | 4.7 MT            | 4.2 MT           |                  | 4.7 MT           |                  |                   |                   |
| Boom Type                             |                           | VA               |                  | 1 PC             |                  | MH (6.40 m)       |                   | VA               |                  | 1 PC             |                  | MH (6.40 m)       |                   |
|                                       |                           | 2.50 m<br>(8'2") | 2.90 m<br>(9'6") | 2.50 m<br>(8'2") | 2.90 m<br>(9'6") | 4.30 m<br>(14'1") | 4.30 m<br>(14'1") | 2.50 m<br>(8'2") | 2.90 m<br>(9'6") | 2.50 m<br>(8'2") | 2.90 m<br>(9'6") | 4.30 m<br>(14'1") | 4.30 m<br>(14'1") |
| Hydraulic<br>Hammers                  | H115 S                    | ✓                | ✓                | ✓                | ✓                |                   |                   | ✓                | ✓                | ✓                | ✓                |                   |                   |
|                                       | H120 GC S                 | ✓                |                  | ✓                | ✓                |                   |                   | ✓                |                  | ✓                | ✓                |                   |                   |
|                                       | H120 S                    | ✓                | ✓                | ✓                | ✓                |                   |                   | ✓                | ✓                | ✓                | ✓                |                   |                   |
|                                       | H130 S                    | ✓                |                  | ✓                | ✓                |                   |                   | ✓                |                  | ✓                | ✓                |                   |                   |
| Multi-<br>Processors                  | MP318 Concrete Cutter Jaw |                  |                  | ✓                |                  |                   |                   |                  |                  | ✓                |                  |                   |                   |
|                                       | MP318 Demolition Jaw      |                  |                  | ✓                |                  |                   |                   |                  |                  | ✓                |                  |                   |                   |
|                                       | MP318 Pulverizer Jaw      |                  |                  | ✓                |                  |                   |                   |                  |                  | ✓                |                  |                   |                   |
|                                       | MP318 Shear Jaw           |                  |                  | ✓                | ✓                | ✓                 | ✓                 |                  |                  | ✓                | ✓                | ✓                 | ✓                 |
|                                       | MP318 Universal Jaw       |                  |                  | ✓                |                  |                   |                   |                  |                  | ✓                |                  |                   |                   |
| Demolition<br>and Sorting<br>Grapples | G318                      |                  |                  | ✓                | ✓                | ✓                 | ✓                 |                  |                  | ✓                | ✓                | ✓                 | ✓                 |
|                                       | G318 WH-800               | ✓                |                  | ✓                | ✓                | ✓                 | ✓                 | ✓                |                  | ✓                | ✓                | ✓                 | ✓                 |
|                                       | G318 WH-1100              |                  |                  | ✓                |                  | ✓                 | ✓                 |                  |                  | ✓                |                  | ✓                 | ✓                 |
| Pulverizers                           | P218 Secondary Pulverizer |                  |                  | ✓                |                  |                   |                   |                  |                  | ✓                |                  |                   |                   |
|                                       | P318 Primary Pulverizer   |                  |                  | ✓                |                  |                   |                   |                  |                  | ✓                |                  |                   |                   |
| Compactors<br>(Vibratory<br>Plate)    | CVP110                    | ✓                | ✓                | ✓                | ✓                |                   |                   | ✓                | ✓                | ✓                | ✓                |                   |                   |

(continued on next page)

# MH3024 Material Handler Specifications

## Attachments Offering Guide – North America *(continued)*

Not all Attachments are available in all regions. Consult your Cat dealer for configurations available in your region.

Match

No Match

### HCS70 DEDICATED COUPLER ATTACHMENTS

| Undercarriage                         |                           | ALL              |                  | MH (2.75 m)      |                  | MH (2.99 m)       |                   |                  |                  |                  |                  |                   |                   |
|---------------------------------------|---------------------------|------------------|------------------|------------------|------------------|-------------------|-------------------|------------------|------------------|------------------|------------------|-------------------|-------------------|
|                                       |                           | 4.2 MT           |                  | 4.2 MT           | 4.7 MT           | 4.2 MT            |                   | 4.2 MT           | 4.7 MT           |                  |                  |                   |                   |
| Counterweight                         |                           | VA               |                  | 1 PC             |                  | MH (6.40 m)       |                   | VA               |                  | 1 PC             |                  | MH (6.40 m)       |                   |
|                                       |                           | 2.50 m<br>(8'2") | 2.90 m<br>(9'6") | 2.50 m<br>(8'2") | 2.90 m<br>(9'6") | 4.30 m<br>(14'1") | 4.30 m<br>(14'1") | 2.50 m<br>(8'2") | 2.90 m<br>(9'6") | 2.50 m<br>(8'2") | 2.90 m<br>(9'6") | 4.30 m<br>(14'1") | 4.30 m<br>(14'1") |
| Boom Type                             |                           | VA               |                  | 1 PC             |                  | MH (6.40 m)       |                   | VA               |                  | 1 PC             |                  | MH (6.40 m)       |                   |
| Stick Length                          |                           | 2.50 m<br>(8'2") | 2.90 m<br>(9'6") | 2.50 m<br>(8'2") | 2.90 m<br>(9'6") | 4.30 m<br>(14'1") | 4.30 m<br>(14'1") | 2.50 m<br>(8'2") | 2.90 m<br>(9'6") | 2.50 m<br>(8'2") | 2.90 m<br>(9'6") | 4.30 m<br>(14'1") | 4.30 m<br>(14'1") |
| Hydraulic<br>Hammers                  | H115 S                    | ✓                | ✓                | ✓                | ✓                |                   |                   | ✓                | ✓                | ✓                | ✓                |                   |                   |
|                                       | H120 S                    | ✓                | ✓                | ✓                | ✓                |                   |                   | ✓                | ✓                | ✓                | ✓                |                   |                   |
|                                       | H130 S                    | ✓                |                  | ✓                | ✓                |                   |                   | ✓                |                  | ✓                | ✓                |                   |                   |
| Multi-<br>Processors                  | MP318 Concrete Cutter Jaw |                  |                  | ✓                |                  |                   |                   |                  |                  | ✓                |                  |                   |                   |
|                                       | MP318 Demolition Jaw      |                  |                  | ✓                |                  |                   |                   |                  |                  | ✓                |                  |                   |                   |
|                                       | MP318 Pulverizer Jaw      |                  |                  | ✓                |                  |                   |                   |                  |                  | ✓                |                  |                   |                   |
|                                       | MP318 Shear Jaw           |                  |                  | ✓                |                  | ✓                 | ✓                 |                  |                  | ✓                |                  | ✓                 | ✓                 |
|                                       | MP318 Universal Jaw       |                  |                  | ✓                |                  |                   |                   |                  |                  | ✓                |                  |                   |                   |
| Demolition<br>and Sorting<br>Grapples | G318                      |                  |                  | ✓                |                  | ✓                 | ✓                 |                  |                  | ✓                |                  | ✓                 | ✓                 |
|                                       | G318 WH-800               |                  |                  | ✓                |                  | ✓                 | ✓                 |                  |                  | ✓                |                  | ✓                 | ✓                 |
|                                       | G318 WH-1100              |                  |                  |                  |                  | ✓                 | ✓                 |                  |                  |                  |                  | ✓                 | ✓                 |
| Pulverizers                           | P318 Primary Pulverizer   |                  |                  | ✓                |                  |                   |                   |                  |                  | ✓                |                  |                   |                   |
| Compactors<br>(Vibratory<br>Plate)    | CVP110                    | ✓                | ✓                | ✓                | ✓                |                   |                   | ✓                | ✓                | ✓                | ✓                |                   |                   |

*(continued on next page)*

# MH3024 Material Handler Specifications

## Attachments Offering Guide – North America *(continued)*

Not all Attachments are available in all regions. Consult your Cat dealer for configurations available in your region.

Match

No Match

### HCS70/55 DEDICATED COUPLER ATTACHMENTS

| Undercarriage                         |                           | ALL              |                  |                  |                  | MH (2.75 m)       |                   | MH (2.99 m)      |                  |                  |                  |                   |                   |
|---------------------------------------|---------------------------|------------------|------------------|------------------|------------------|-------------------|-------------------|------------------|------------------|------------------|------------------|-------------------|-------------------|
|                                       |                           | 4.2 MT           |                  | 4.2 MT           |                  | 4.7 MT            | 4.2 MT            |                  | 4.2 MT           |                  | 4.7 MT           | 4.7 MT            |                   |
| Counterweight                         |                           | 4.2 MT           |                  | 4.2 MT           |                  | 4.7 MT            | 4.2 MT            |                  | 4.2 MT           |                  | 4.7 MT           | 4.7 MT            |                   |
| Boom Type                             |                           | VA               |                  | 1 PC             |                  | MH (6.40 m)       |                   | VA               |                  | 1 PC             |                  | MH (6.40 m)       |                   |
| Stick Length                          |                           | 2.50 m<br>(8'2") | 2.90 m<br>(9'6") | 2.50 m<br>(8'2") | 2.90 m<br>(9'6") | 4.30 m<br>(14'1") | 4.30 m<br>(14'1") | 2.50 m<br>(8'2") | 2.90 m<br>(9'6") | 2.50 m<br>(8'2") | 2.90 m<br>(9'6") | 4.30 m<br>(14'1") | 4.30 m<br>(14'1") |
| Hydraulic<br>Hammers                  | H115 S                    | ✓                | ✓                | ✓                | ✓                |                   |                   | ✓                | ✓                | ✓                | ✓                |                   |                   |
|                                       | H120 S                    | ✓                | ✓                | ✓                | ✓                |                   |                   | ✓                | ✓                | ✓                | ✓                |                   |                   |
|                                       | H130 S                    |                  |                  | ✓                | ✓                |                   |                   |                  |                  | ✓                | ✓                |                   |                   |
| Multi-<br>Processors                  | MP318 Concrete Cutter Jaw |                  |                  | ✓                |                  |                   |                   |                  |                  | ✓                |                  |                   |                   |
|                                       | MP318 Demolition Jaw      |                  |                  | ✓                |                  |                   |                   |                  |                  | ✓                |                  |                   |                   |
|                                       | MP318 Shear Jaw           |                  |                  | ✓                |                  | ✓                 | ✓                 |                  |                  | ✓                |                  | ✓                 | ✓                 |
|                                       | MP318 Universal Jaw       |                  |                  | ✓                |                  |                   |                   |                  |                  | ✓                |                  |                   |                   |
| Demolition<br>and Sorting<br>Grapples | G318                      |                  |                  | ✓                |                  | ✓                 | ✓                 |                  |                  | ✓                |                  | ✓                 | ✓                 |
|                                       | G318 WH-800               |                  |                  | ✓                |                  | ✓                 | ✓                 |                  |                  | ✓                |                  | ✓                 | ✓                 |
|                                       | G318 WH-1100              |                  |                  |                  |                  | ✓                 | ✓                 |                  |                  |                  |                  | ✓                 | ✓                 |
| Compactors<br>(Vibratory<br>Plate)    | CVP110                    | ✓                | ✓                | ✓                | ✓                |                   |                   | ✓                | ✓                | ✓                | ✓                |                   |                   |



# MH3024 Material Handler Specifications

## Attachments Offering Guide – Australia/New Zealand

Not all Attachments are available in all regions. Consult your Cat dealer for configurations available in your region.

Match

No Match

### PIN-ON ATTACHMENTS

| Undercarriage                      |                | All              |                  |                  |                  | MH (2.75 m)       |                   |                   | MH (2.99 m)       |                   |                   |
|------------------------------------|----------------|------------------|------------------|------------------|------------------|-------------------|-------------------|-------------------|-------------------|-------------------|-------------------|
| Counterweight                      |                | 4.2 MT           |                  |                  |                  | 4.2 MT            | 4.7 MT            | 4.2 MT            | 4.7 MT            |                   |                   |
| Boom Type                          |                | VA               |                  | 1 PC             |                  | MH                | MH                | MH                | MH                | MH                | MH                |
| Stick Length                       |                | 2.50 m<br>(8'2") | 2.90 m<br>(9'6") | 2.50 m<br>(8'2") | 2.90 m<br>(9'6") | 4.30 m<br>(14'1") | 4.30 m<br>(14'1") | 4.30 m<br>(14'1") | 4.30 m<br>(14'1") | 4.30 m<br>(14'1") | 4.30 m<br>(14'1") |
| Hydraulic Hammers                  | H115 S         | ✓                | ✓                | ✓                | ✓                |                   |                   |                   |                   |                   |                   |
|                                    | H120 GC        | ✓                | ✓                | ✓                | ✓                |                   |                   |                   |                   |                   |                   |
|                                    | H120 GC S      | ✓                | ✓                | ✓                | ✓                |                   |                   |                   |                   |                   |                   |
|                                    | H120 S         | ✓                | ✓                | ✓                | ✓                |                   |                   |                   |                   |                   |                   |
|                                    | H130 S         | ✓                | ✓                | ✓                | ✓                |                   |                   |                   |                   |                   |                   |
| Demolition and Sorting Grapples    | G318           | ✓                |                  | ✓                | ✓                | ✓                 | ✓                 | ✓                 | ✓                 | ✓                 | ✓                 |
| Mobile Scrap and Demolition Shears | S3025 Flat Top |                  |                  | ✓                | ✓                | ✓                 | ✓                 | ✓                 | ✓                 | ✓                 | ✓                 |
| Compactors (Vibratory Plate)       | CVP110         | ✓                | ✓                | ✓                | ✓                |                   |                   |                   |                   |                   |                   |
| Mulchers                           | HM4015         | ✓                | ✓                | ✓                | ✓                | ✓                 | ✓                 | ✓                 | ✓                 | ✓                 | ✓                 |
|                                    | HM4815         | ✓                | ✓                | ✓                | ✓                | ✓                 | ✓                 | ✓                 | ✓                 | ✓                 | ✓                 |

### CAT PIN GRABBER COUPLER ATTACHMENTS

| Undercarriage                   |           | All              |                  |                  |                  | MH (2.75 m)       |                   |                   | MH (2.99 m)       |                   |                   |
|---------------------------------|-----------|------------------|------------------|------------------|------------------|-------------------|-------------------|-------------------|-------------------|-------------------|-------------------|
| Counterweight                   |           | 4.2 MT           |                  |                  |                  | 4.2 MT            | 4.7 MT            | 4.2 MT            | 4.7 MT            |                   |                   |
| Boom Type                       |           | VA               |                  | 1 PC             |                  | MH                | MH                | MH                | MH                | MH                | MH                |
| Stick Length                    |           | 2.50 m<br>(8'2") | 2.90 m<br>(9'6") | 2.50 m<br>(8'2") | 2.90 m<br>(9'6") | 4.30 m<br>(14'1") | 4.30 m<br>(14'1") | 4.30 m<br>(14'1") | 4.30 m<br>(14'1") | 4.30 m<br>(14'1") | 4.30 m<br>(14'1") |
| Hydraulic Hammers               | H115 S    | ✓                | ✓                | ✓                | ✓                |                   |                   |                   |                   |                   |                   |
|                                 | H120 GC   | ✓                |                  | ✓                | ✓                |                   |                   |                   |                   |                   |                   |
|                                 | H120 GC S | ✓                |                  | ✓                | ✓                |                   |                   |                   |                   |                   |                   |
|                                 | H120 S    | ✓                | ✓                | ✓                | ✓                |                   |                   |                   |                   |                   |                   |
|                                 | H130 S    | ✓                |                  | ✓                | ✓                |                   |                   |                   |                   |                   |                   |
| Demolition and Sorting Grapples | G318      |                  |                  |                  |                  | ✓                 | ✓                 |                   | ✓                 | ✓                 |                   |
| Compactors (Vibratory Plate)    | CVP110    | ✓                | ✓                | ✓                | ✓                |                   |                   |                   |                   |                   |                   |
| Mulchers                        | HM4015    | ✓                |                  | ✓                | ✓                | ✓                 | ✓                 | ✓                 | ✓                 | ✓                 | ✓                 |
|                                 | HM4815    | ✓                |                  | ✓                | ✓                | ✓                 | ✓                 | ✓                 | ✓                 | ✓                 | ✓                 |

# MH3024 Standard and Optional Equipment

## Standard and Optional Equipment

Standard and optional equipment may vary. Consult your Cat dealer for details.

|  | Standard | Optional |  | Standard | Optional |
|--|----------|----------|--|----------|----------|
| <b>BOOM, STICKS AND LINKAGES</b>                 |          |          | <b>ENGINE</b>  |          |          |
| 5.65 m (18'6") One-Piece boom                    |          | ✓        | Cat C4.4 Twin Turbo diesel engine (compliant with EU Stage V/U.S. EPA Tier 4 Final emission standards) | ✓        |          |
| 5.26 m (17'3") Variable Angle boom               |          | ✓        | Power mode selector  | ✓        |          |
| 2.5 m (8'2") Straight stick                      |          | ✓        | One-touch low idle with automatic engine speed control   | ✓        |          |
| 2.9 m (9'6") Straight stick                      |          | ✓        | Automatic engine idle shutdown   | ✓        |          |
| No stick configuration                           |          | ✓        | Work up to 3000 m (9,843 ft) above sea level without engine power de-rating                            | ✓        |          |
| 6.4 m (21'0") MH boom                            |          | ✓        | 52°C (125°F) high-ambient cooling capacity   | ✓        |          |
| 7.45 m (24'5") MH boom                           |          | ✓        | Cold starting capability for -18°C (0°F)   | ✓        |          |
| 5.0 m (16'5") Drop Nose MH stick                 |          | ✓        | Double element air filter with integrated precleaner   | ✓        |          |
| 4.3 m (14'1") Straight MH stick                  |          | ✓        | Electric fuel priming pump   | ✓        |          |
| Bucket linkage, B-type with lifting eye          |          | ✓        | On-demand electric cooling fans with auto-reverse function   | ✓        |          |
| <b>CAT TECHNOLOGY</b>                            |          |          | <b>HYDRAULICS</b>  |          |          |
| Cat Product Link™                                | ✓        |          | Boom/stick lowering check valves   | ✓        |          |
| 2D E-fence                                       | ✓        |          | Overload warning   | ✓        |          |
| Cat Payload                                      | ✓        |          | Electronic main control valve  | ✓        |          |
| Cab Avoidance                                    | ✓        |          | Auto hydraulic oil warm up   | ✓        |          |
| Remote Flash capability                          | ✓        |          | Element type main hydraulic filter   | ✓        |          |
| Remote Troubleshoot capability                   | ✓        |          | Two-Slider joysticks   | ✓        |          |
| <b>ELECTRICAL</b>                                |          |          | Advanced Tool Control (one/two way high-pressure flow with drift reduction)                            |          | ✓        |
| LED lights on boom, stick, and cab               | ✓        |          | Medium pressure auxiliary circuit (one/two way medium-pressure flow)                                   | ✓        |          |
| LED lights on chassis (LH, RH) and counterweight | ✓        |          | Heavy lift mode  | ✓        |          |
| Programmable time-delay LED working lights       | ✓        |          | Quick coupler circuit  |          | ✓        |
| Roading and indicator lights, front and rear     | ✓        |          | SmartBoom™   | ✓        |          |
| Maintenance free batteries                       | ✓        |          | SmartStick   | ✓        |          |
| Centralized electrical disconnect switch         | ✓        |          | Joystick steering  | ✓        |          |
| Electrical refueling pump                        |          | ✓        | Steering wheel   |          | ✓        |
|  |          |          | Separate dedicated swing pump  | ✓        |          |
|  |          |          | Automatic swing brake  | ✓        |          |
|  |          |          | Cat BIO HYDO Advanced biodegradable hydraulic oil  |          | ✓        |
|  |          |          | Adjustable hydraulic aggressiveness  | ✓        |          |
|  |          |          | Pattern changer  | ✓        |          |

(continued on next page)

# MH3024 Standard and Optional Equipment

## Standard and Optional Equipment *(continued)*

Standard and optional equipment may vary. Consult your Cat dealer for details.

|  | Standard | Optional |   | Standard | Optional |
|--|----------|----------|---|----------|----------|
| <b>SAFETY AND SECURITY</b>                                     |          |          | <b>UNDERCARRIAGE AND STRUCTURES</b>   |          |          |
| Rear and right-side-view cameras                               | ✓        |          | All wheel drive   | ✓        |          |
| 360° visibility  |          | ✓        | Automatic brake/axle lock   | ✓        |          |
| Wide angle mirrors   | ✓        |          | Creep speed   | ✓        |          |
| Heated and remotely adjustable mirrors                         |          | ✓        | Electronic swing and travel lock  | ✓        |          |
| Travel alarm   |          | ✓        | Heavy-duty axles, advanced disc brake system and travel motor, adjustable braking force | ✓        |          |
| Signal/warning horn  | ✓        |          | Oscillating front axle, lockable, with remote greasing point                            | ✓        |          |
| Rotating beacon on cab and chassis                             |          | ✓        | 11.00-20 16 PR, dual tires  |          | ✓        |
| Cat Asset tracker  |          | ✓        | 10.00-20, dual, solid rubber tires  |          | ✓        |
| Neutral lever (lock out) for all controls                      | ✓        |          | Steps with tool box in undercarriage (left and right)                                   | ✓        |          |
| Ground-level accessible secondary engine shutoff switch in cab | ✓        |          | Rear and front end steps  |          | ✓        |
| Bluetooth® receiver  | ✓        |          | Two speed hydrostatic transmission  | ✓        |          |
| Anti-skid plate and countersunk bolts on service platform      | ✓        |          | Rear blade/front outrigger EM undercarriage   |          | ✓        |
| <b>SERVICE AND MAINTENANCE</b>                                 |          |          | Rear outrigger/front blade EM undercarriage   |          | ✓        |
| Scheduled Oil Sampling (S·O·S <sup>SM</sup> ) ports            | ✓        |          | 2.75 mm (9'0") wide MH undercarriage  |          | ✓        |
| Automatic lubrication system for implement and swing system    | ✓        |          | 2.99 mm (9'10") wide MH undercarriage   |          | ✓        |
|  |          |          | Push Blade  |          | ✓        |
|  |          |          | Counterweight 4200 kg (9,260 lb)  |          | ✓        |
|  |          |          | Counterweight 4700 kg (10,370 lb)   |          | ✓        |

## Dealer Installed Kit and Attachments

Attachments may vary. Consult your Cat dealer for details.

### **CAB**

- 75 mm (3") retractable seat belt

### **SAFETY AND SECURITY**

- Bluetooth key fob

### **GUARDS**

- FOGS (not compatible with cab light cover, rain protector)
- Mesh guard full front (not compatible with cab light cover, rain protector)

## Cab Options

|   | Deluxe | Premium |
|---|--------|---------|
| Sound-suppressed cab  | ●      | ●       |
| Heated seat with air-adjustable suspension                  | ●      | X       |
| Heated and cooled seat with automatic adjustable suspension | X      | ●       |
| Height-adjustable console, infinite with no tool            | ●      | ●       |
| High-resolution 254 mm (10") LCD touchscreen monitor        | ●      | ●       |
| Mechanical mirror   | ●      | X       |
| Electrical mirror   | X      | ●       |
| Automatic bi-level air conditioner                          | ●      | ●       |
| Jog dial and shortcut keys for monitor control              | ●      | ●       |
| Keyless push-to-start engine control                        | ●      | ●       |
| 51 mm seat belt   | ●      | ●       |
| Unfastened seat belt warning                                | ●      | ●       |
| Bluetooth integrated radio with USB ports and speakers      | ●      | ●       |
| Two 12V DC outlets  | ●      | ●       |
| Document storage  | ●      | ●       |
| Auxiliary relay   | ○      | ○       |
| Cup and bottle holders                                      | ●      | ●       |
| Fixed two-piece front window (P8B classified)               | ○      | ○       |
| Fixed one-piece front window (P5A classified)               | ○      | ○       |
| Parallel wiper with washer                                  | ●      | ●       |
| Fixed glass skylight hatch                                  | ●      | ●       |
| LED dome lights   | ●      | ●       |
| Foot Illumination   | ●      | ●       |
| Roller rear sunscreen                                       | X      | ●       |
| Rear window emergency exit                                  | ●      | ●       |
| Washable floor mat  | ●      | ●       |
| Beacon ready  | ●      | ●       |
| Falling object guards (FOGS)                                | ○      | ○       |
| Advanced cab filtration                                     | ○      | ○       |
| Two LED cab lights  | ●      | ●       |
| Rain visor*   | ●      | ●       |

● Standard

○ Optional

X Not available

\* Not compatible with FOGS

# MH3024 Environmental Declaration

The following information applies to the machine at the time of final manufacture as configured for sale in the regions covered in this document. The content of this declaration is valid as of the date issued; however, content related to machine features and specifications are subject to change without notice. For additional information, please see the machine's Operation and Maintenance Manual.

For more information on sustainability in action and our progress, please visit <https://www.caterpillar.com/en/company/sustainability>.

## Engine

- The Cat® C4.4 engine meets U.S. EPA Tier 4 Final and EU Stage V emission standards.
- Cat diesel engines are required to use ULSD (ultra-low sulfur diesel fuel with 15 ppm of sulfur or less) or ULSD blended with the following lower-carbon intensity fuels up to:
  - ✓ 20% biodiesel FAME (fatty acid methyl ester)\*
  - ✓ 100% renewable diesel, HVO (hydrotreated vegetable oil) and GTL (gas-to-liquid) fuels

Refer to guidelines for successful application. Please consult your Cat dealer or "Caterpillar Machine Fluids Recommendations" (SEBU6250) for details.

*\*Engines with no aftertreatment devices can use higher blends, up to 100% biodiesel (for use of blends higher than 20% biodiesel, consult your Cat dealer).*

## Air Conditioning System

- The air conditioning system on this machine contains the fluorinated greenhouse gas refrigerant R134a (Global Warming Potential = 1430). The system contains 1.05 kg (2.31 lb) of refrigerant which has a CO<sub>2</sub> equivalent of 1.502 metric tonnes (1.655 tons).

## Paint

- Based on best available knowledge, the maximum allowable concentration, measured in parts per million (PPM), of the following heavy metals in paint are:
  - Barium < 0.01%
  - Cadmium < 0.01%
  - Chromium < 0.01%
  - Lead < 0.01%

## Sound Performance

Exterior sound (ISO 6395:2008) 99 dB(A)

Operator Sound (ISO 6396:2008) 70 dB(A)

- Exterior Sound – The labeled exterior sound power level is measured according to the test procedures specified in ISO 6395:2008. The machine sound power level meets the criteria that are specified in the applicable regional regulations, e.g. 2000/14/EC as amended by 2005/88/EC.
- Internal Sound – The inside cab sound level is measured according to the procedures specified in ISO 6396:2008, for a cab offered by Caterpillar, when properly installed and maintained and tested with the door and windows closed.
- Hearing protection may be needed when operating with an open operator station and cab (when not properly maintained for doors/windows open) for extended periods or in noisy environment(s).
- Blue Angel certified.

## Oils and Fluids

- Caterpillar factory fills with ethylene glycol coolants. Cat Diesel Engine Antifreeze/Coolant (DEAC) and Cat Extended Life Coolant (ELC) can be recycled. Consult your Cat dealer for more information.
- Cat Bio HYDO Advanced is an EU Ecolabel approved biodegradable hydraulic oil.
- Additional fluids are likely to be present, please consult the Operations and Maintenance Manual or the Application and Installation guide for complete fluid recommendations and maintenance intervals.

## Features and Technology

- The following features and technology may contribute to fuel savings and/or carbon reduction. Features may vary. Consult your Cat dealer for details.
  - Advanced electro-hydraulic systems balance power and efficiency
  - Cut operating costs up to 10% with extended maintenance intervals
  - New hydraulic oil filter provides longer life with a 3,000-hour replacement interval
  - Programmable high-efficiency cooling fans run only when needed
  - One-touch low idle with automatic engine speed control
  - Remote Flash and Remote Troubleshoot

For more complete information on Cat products, dealer services, and industry solutions, visit us on the web at [www.cat.com](http://www.cat.com)

© 2022 Caterpillar  
All rights reserved

Materials and specifications are subject to change without notice. Featured machines in photos may include additional equipment. See your Cat dealer for available options.

CAT, CATERPILLAR, LET'S DO THE WORK, their respective logos, "Caterpillar Corporate Yellow," the "Power Edge" and Cat "Modern Hex" trade dress as well as corporate and product identity used herein, are trademarks of Caterpillar and may not be used without permission.

AEXQ3130-03 (11-2022)  
Replaces AEXQ3130-02  
Build Number: 07C  
(Aus-NZ, Eur, N Am, Turkey)

