

J-960

JAW CRUSHER



STRONG **HERITAGE**, STRONG **FUTURE**

 **FINLAY**[®]
A TEREX BRAND

J-960

JAW CRUSHER



The Finlay® J-960 mobile jaw crusher is an aggressive and compact machine that has been designed with the operator in mind.

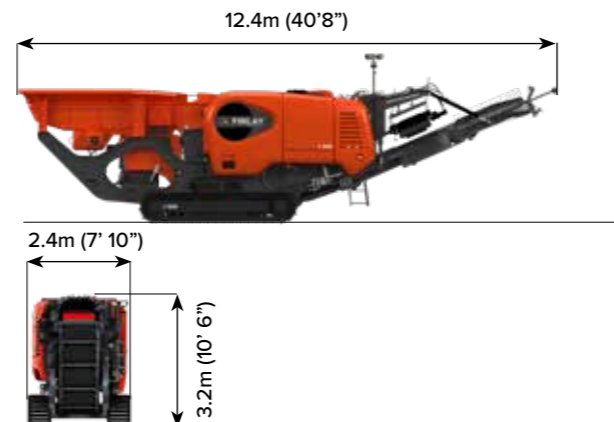
The machine has been redesigned with improved all round preventative maintenance and serviceability access points. The heartbeat of the machine is a robust direct driven Terex 900 x 600mm (35" x 24") single toggle jaw chamber which provides high capacity with large reduction ratios.

Its compact size, excellent mobility and high crushing capacity even at tight settings in recycling and hard rock operations make the J-960 Portable Jaw Crusher ideal for small to medium sized operators.

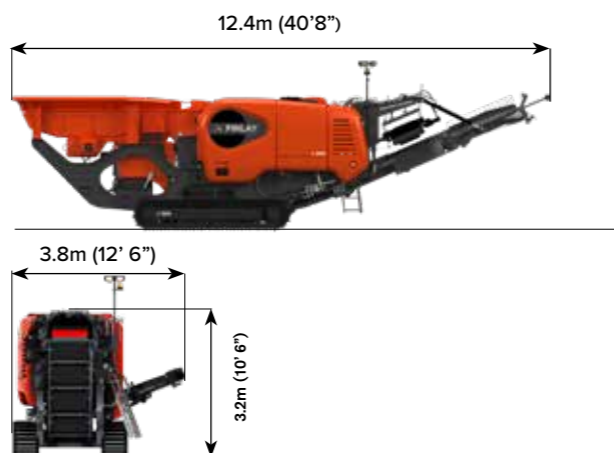
FEATURES:

- A number of innovative design features have been built improving material flow through increased clearances, improved service access points and all round maintenance serviceability.
- Direct drive jaw chamber fitted with an unblock feature that maximizes uptime.
- Jaw chamber has full hydraulic wedge adjust system for quick and easy on-site adjustment of the jaw CSS minimising downtime.
- The redesigned main conveyor with 440mm (1' 5") under jaw clearance minimises restrictions when operating in recycling applications.

TRANSPORT DIMENSIONS



WORKING DIMENSION



MACHINE WEIGHT: * 28,000kg (61,730lbs)
(with by-pass conveyor and single pole magnet options)

1 HOPPER/FEEDER

Hopper Capacity: 3.6m³ (4.7yd³)
Feed height with standard hopper: 3.20m (10' 5")
Vibrating Grizzly Feeder (VGF)
VGF grizzly aperture: 50mm (standard offering)
VGF Speed range: variable, 500-915 rpm

2 BY-PASS CONVEYOR (OPTIONAL)

Belt width: 600mm (24")
Discharge height: 2.0m (6' 7")
Hydraulically foldable for transport

3 JAW CRUSHER

Terex 900mm x 600mm (35" x 24") Single toggle jaw crusher
Drive arrangement: Direct Drive via wedge belts
Reverse action for clearing blockages
Deflector plate - optional
Full hydraulic closed side setting adjust
Standard Liner Profile: Premium Tooth (18% Manganese)

4 MAGNET SEPERATOR (OPTIONAL)

Belt Width: 750mm (30")
Drive: Hydraulic

5 MAIN CONVEYOR

Belt width: 800mm (32")
Working Angle: 22°
Discharge Height: 2.9m (9' 6")
Impact bars and wear resistant liners at feed point
High spec scraper at head drum



T-LINK TELEMATICS

T-Link telematics hardware and software along with free seven year data subscription are fitted and installed as standard.





The material in this document is for information only and is subject to change without notice.

Finlay® assumes no liability resulting from errors or omissions in this document, or from the use of the information contained herein.

Due to continual product development we reserve the right to change specifications without notice. Product performance figures given in this brochure are for guidance purposes only, this information does not constitute an expressed or implied warranty or guarantee, but shows test examples. These results will vary depending on application. Photographs are for illustrative purposes only; some or all of the machines in the illustrations may be fitted with optional extras. Please check with your Dealer for details on optional extras.

Published and Printed in 2022

www.terex.com/finlay

E: sales@terexfinlay.com

T: +44 28 82 418 700

